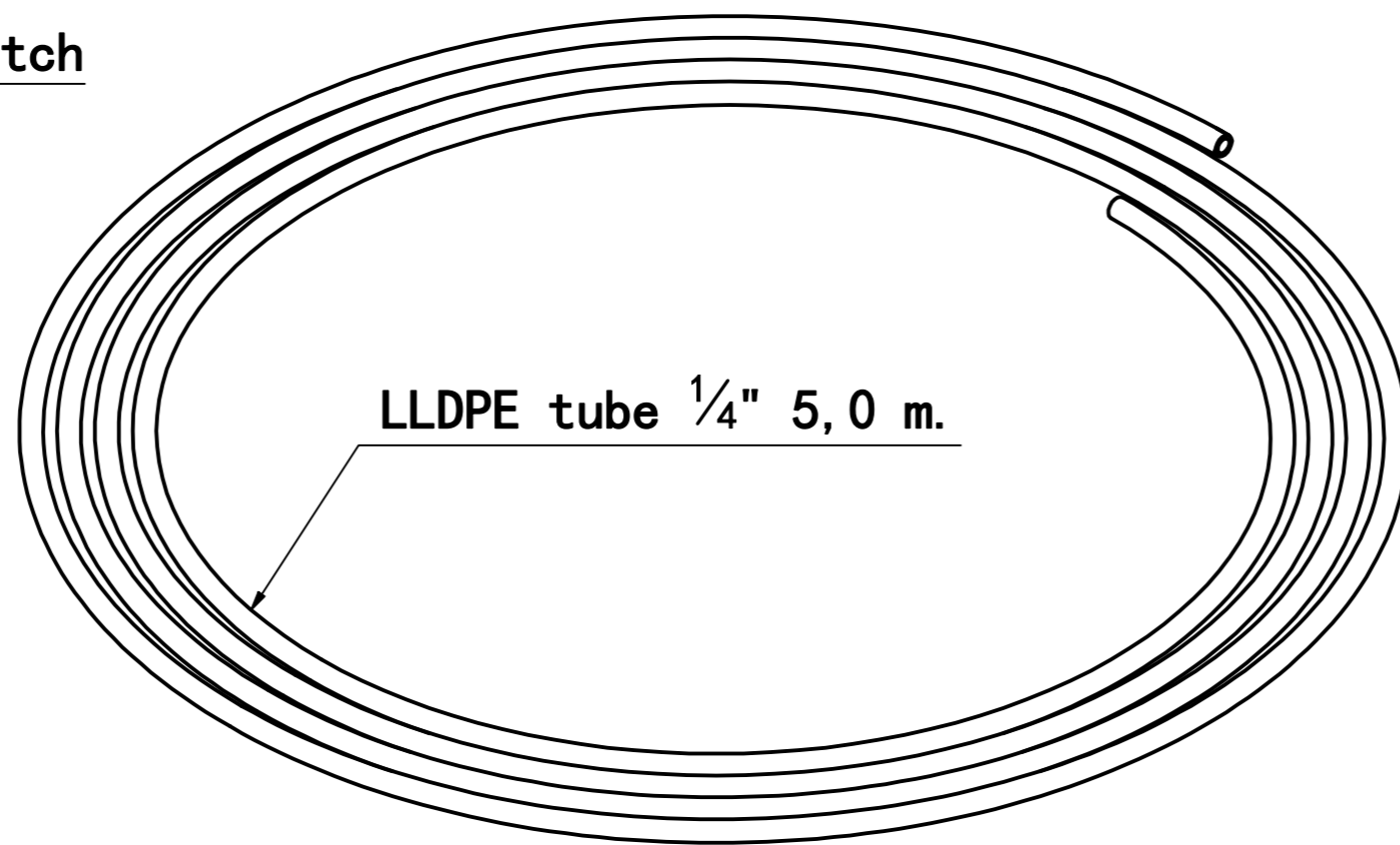
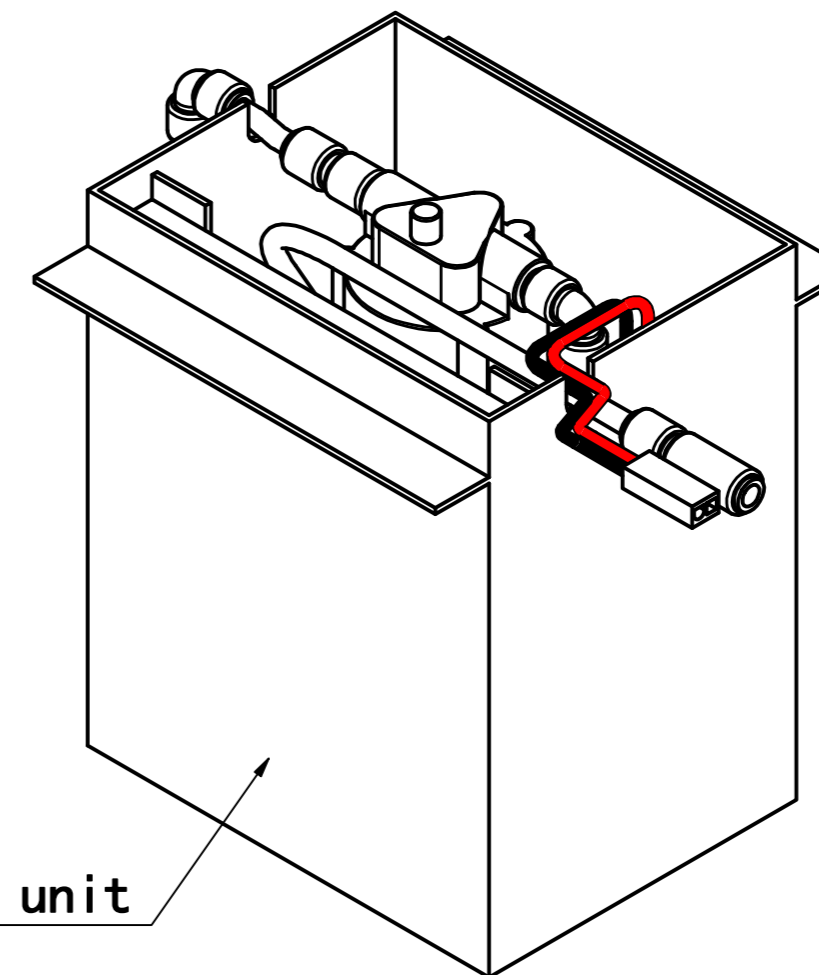




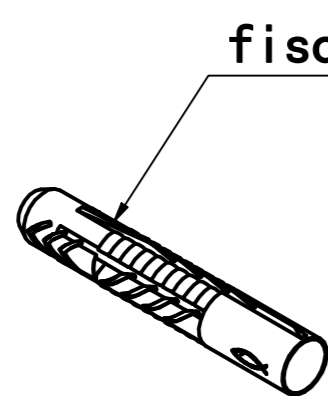
Digital timer switch



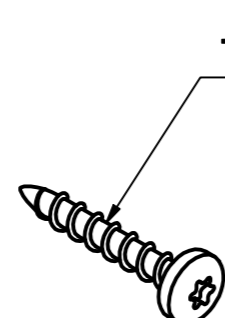
LLDPE tube 1/4" 5,0 m.



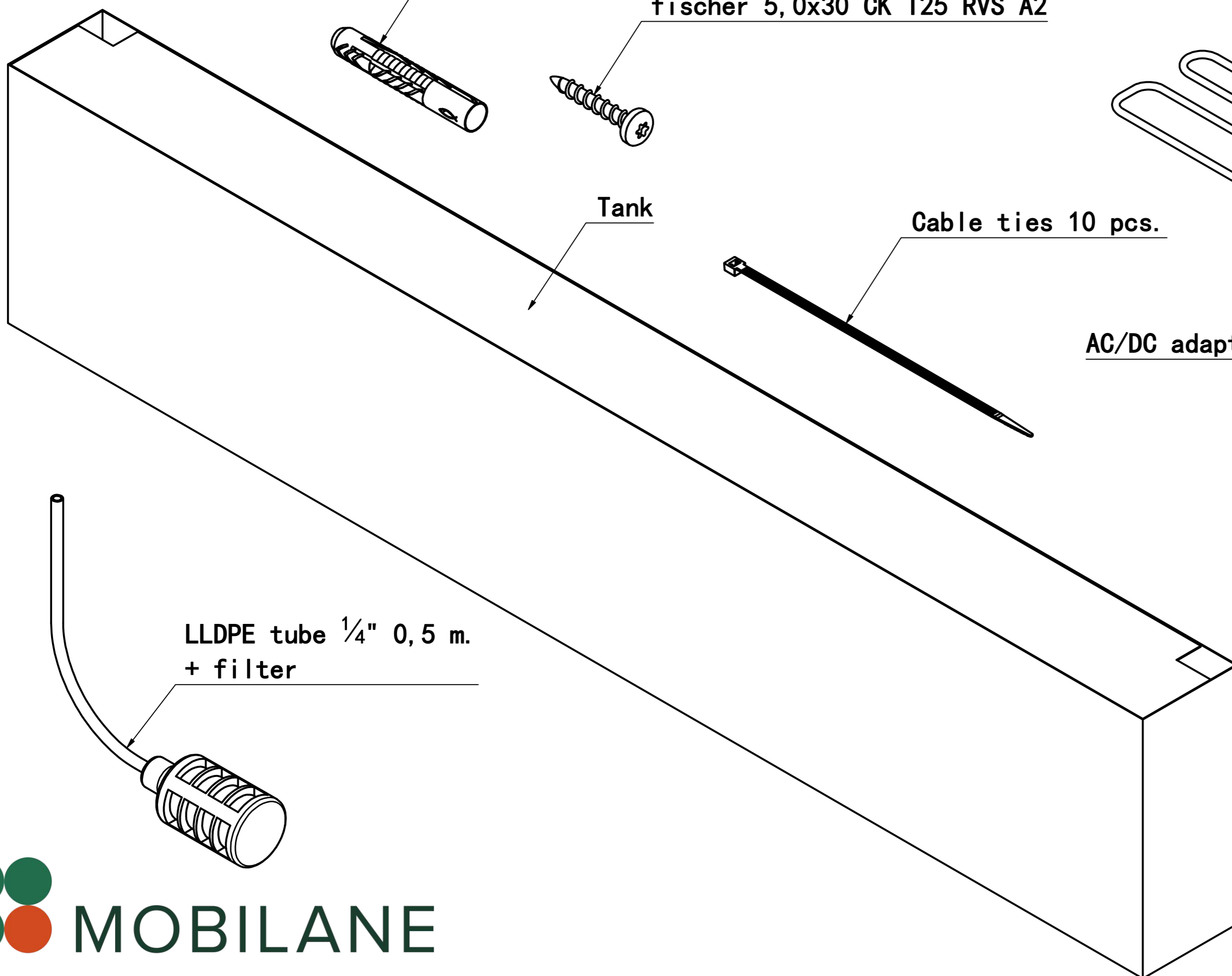
Pump unit



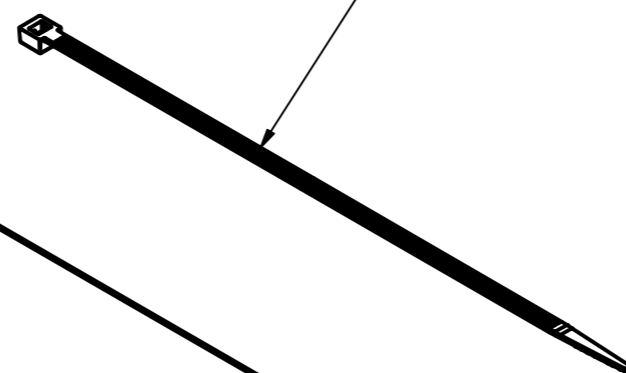
fischer UX 8x50



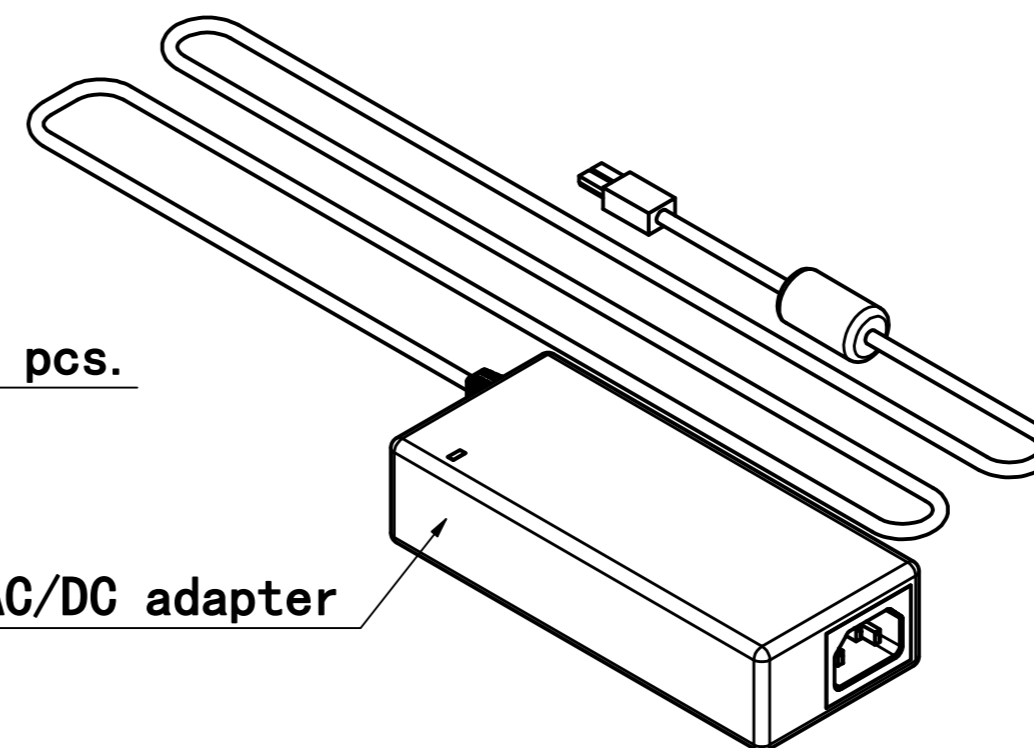
fischer 5,0x30 CK T25 RVS A2



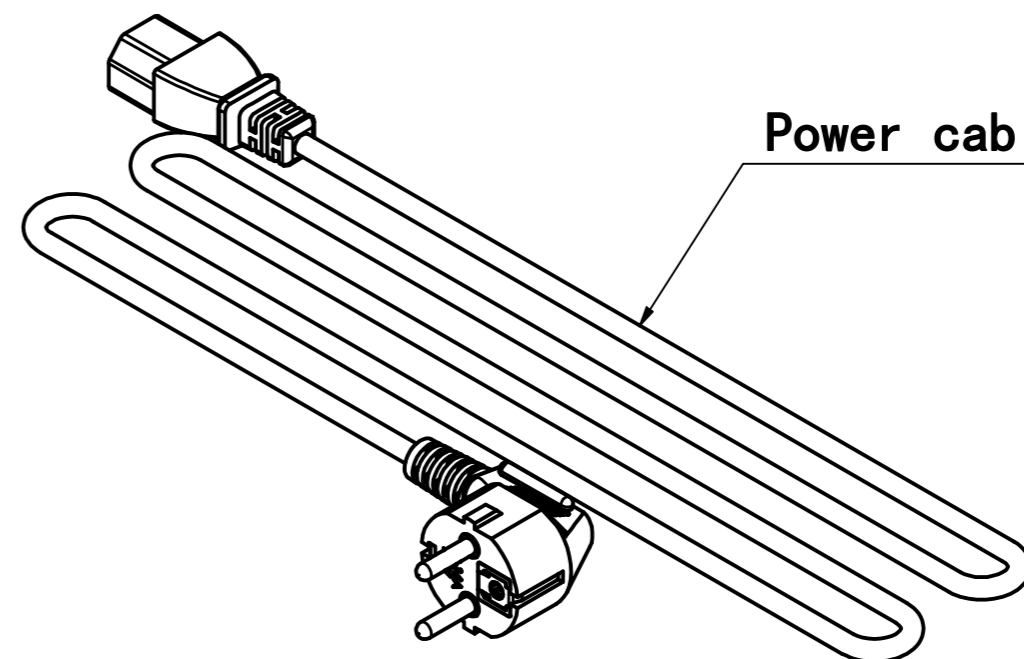
Tank



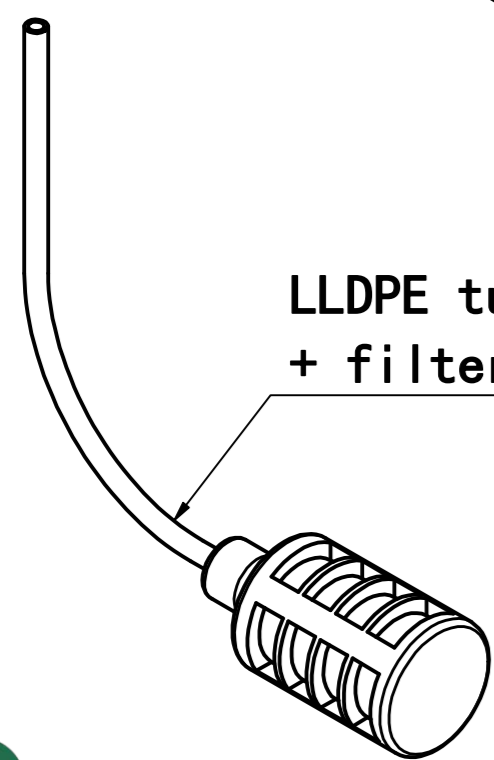
Cable ties 10 pcs.



AC/DC adapter



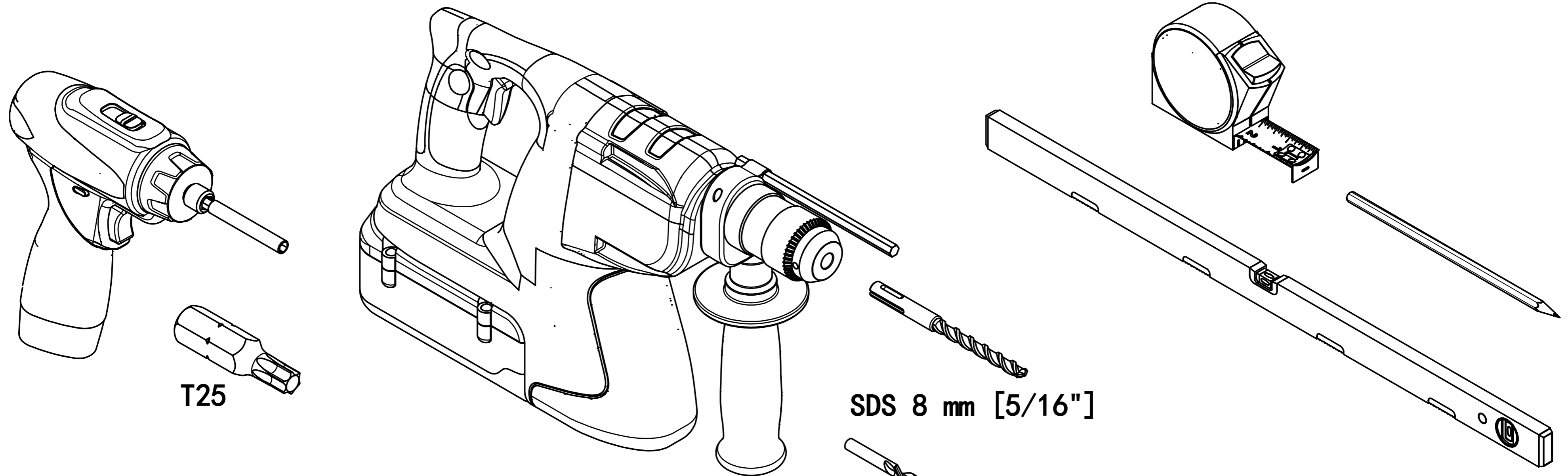
Power cable



LLDPE tube 1/4" 0,5 m.
+ filter

Frame
62x94x....

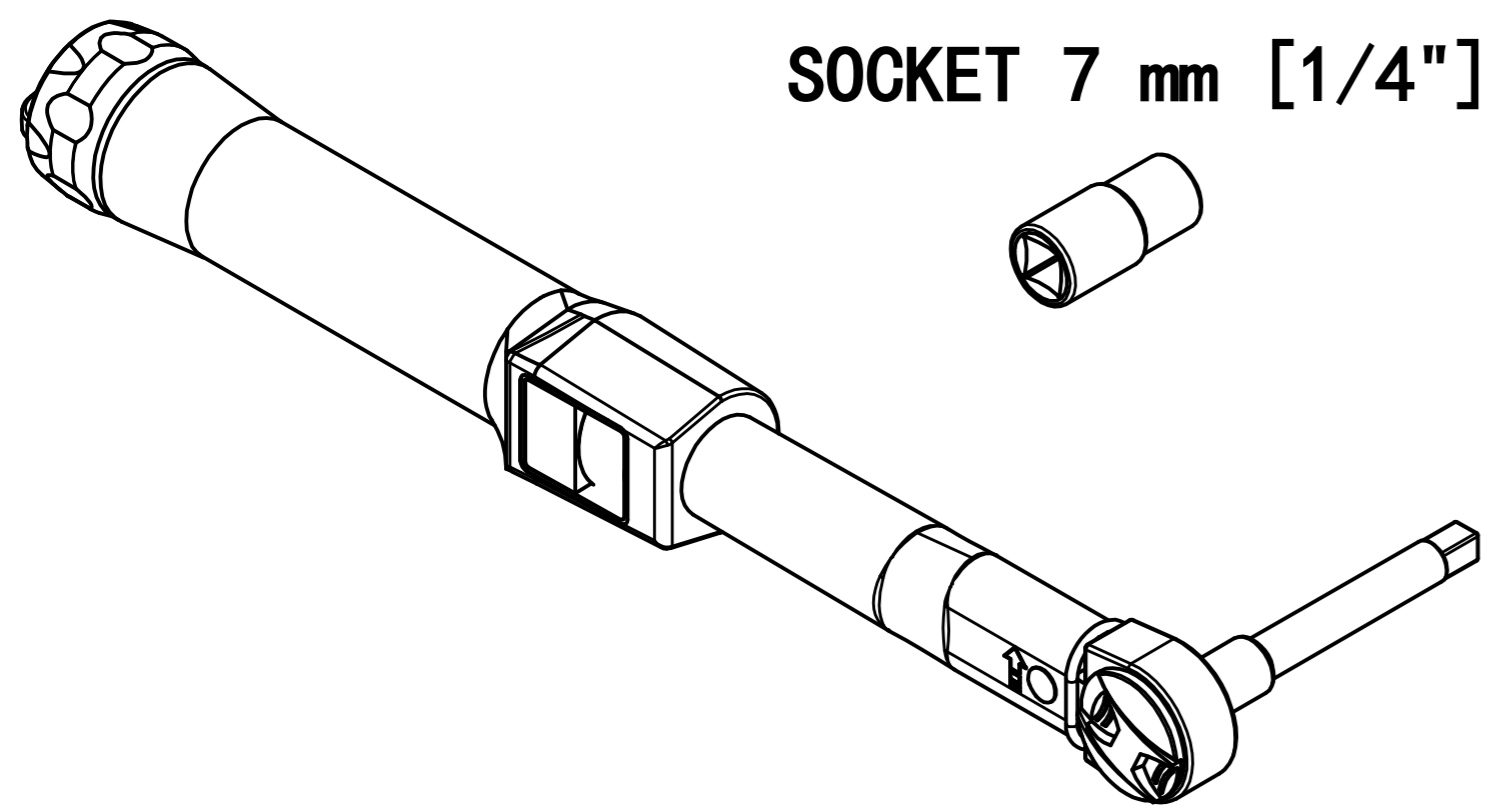
Frame
62x25x....



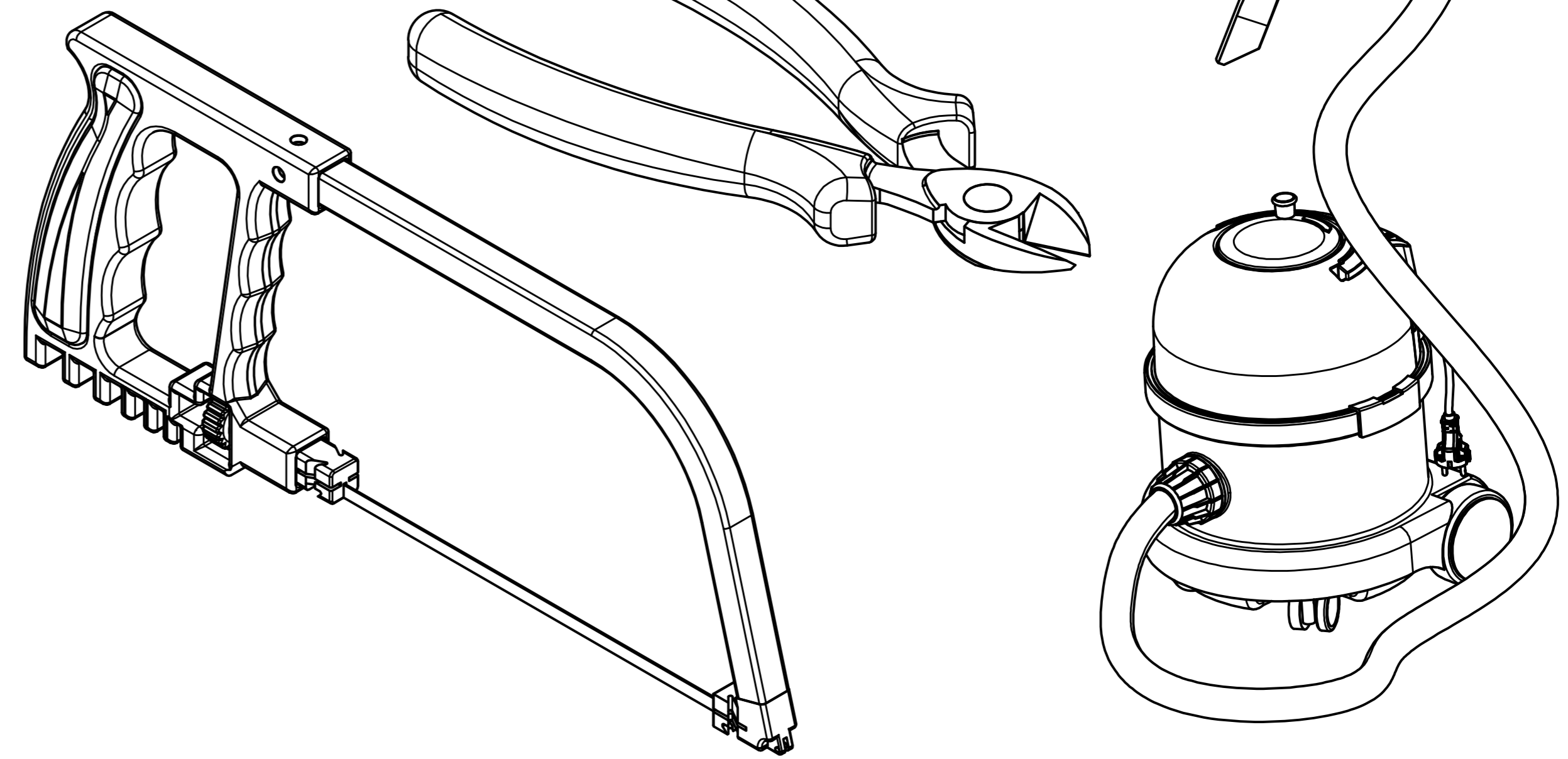
T25

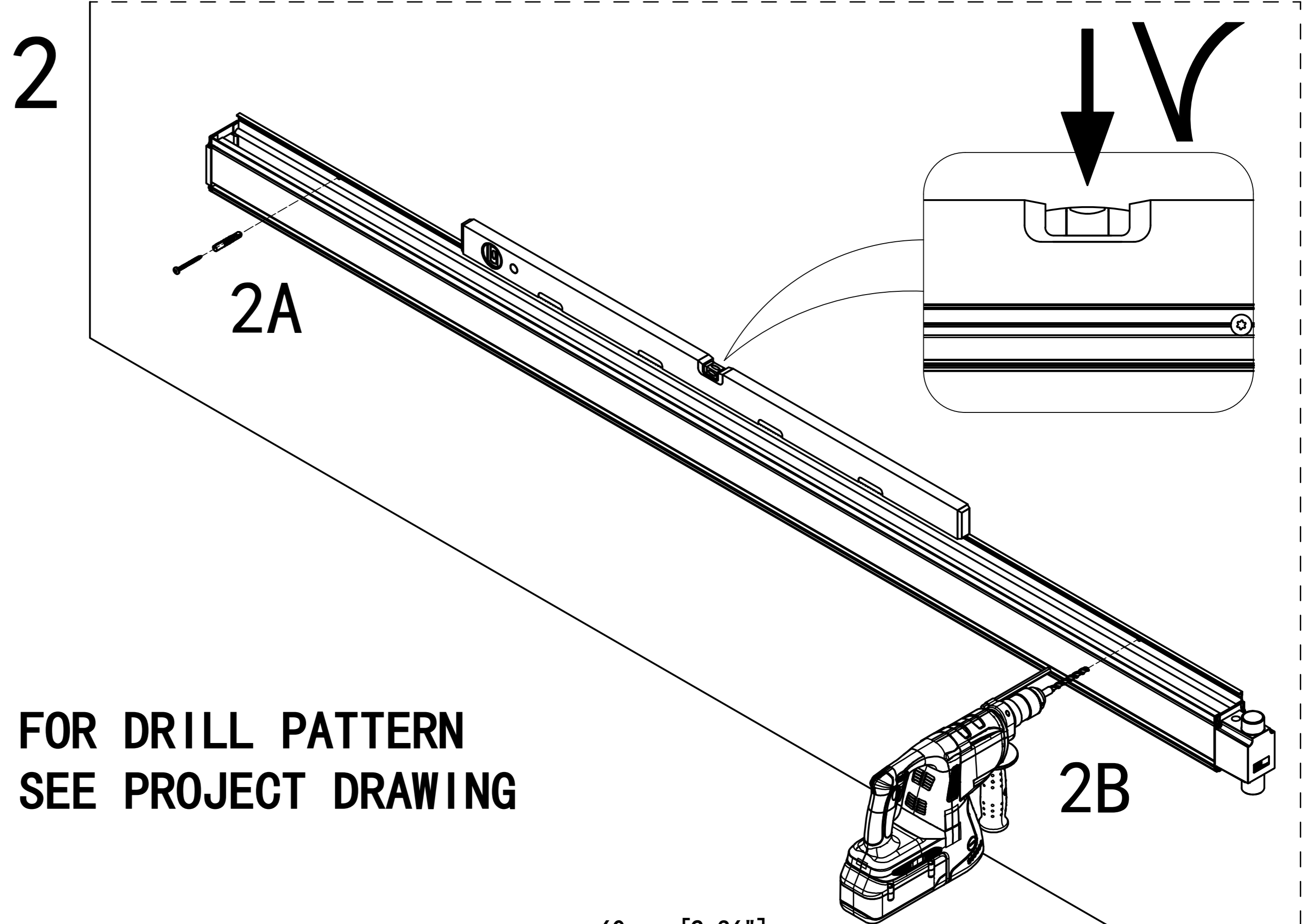
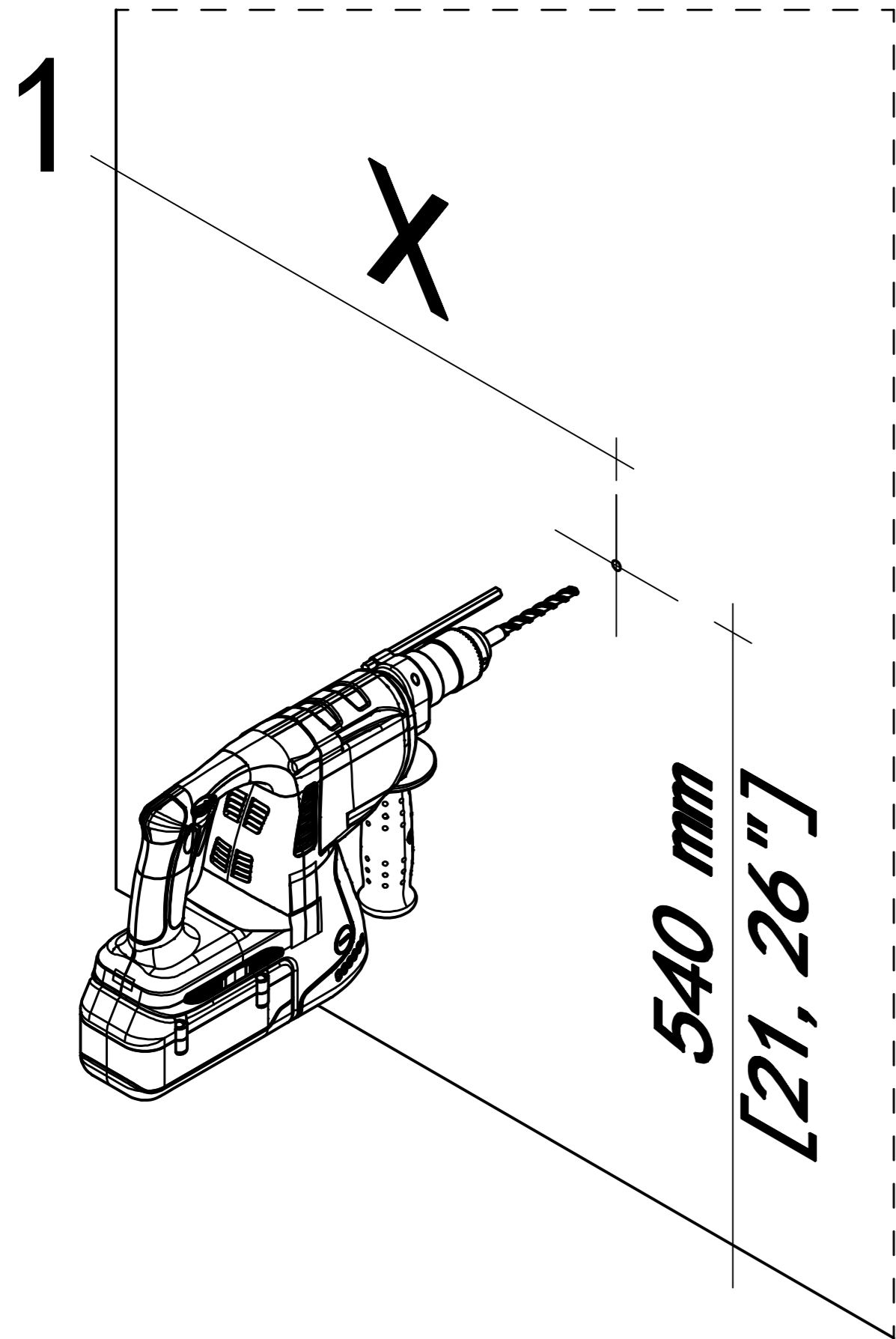
SDS 8 mm [5/16"]

HSS 5 mm [13/64"]



SOCKET 7 mm [1/4"]





FOR DRILL PATTERN
SEE PROJECT DRAWING

fischer
5,0x60 CK T25 RVS A2

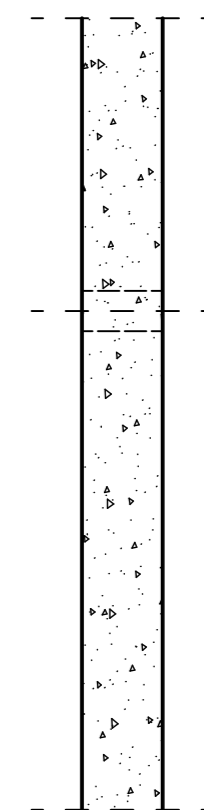
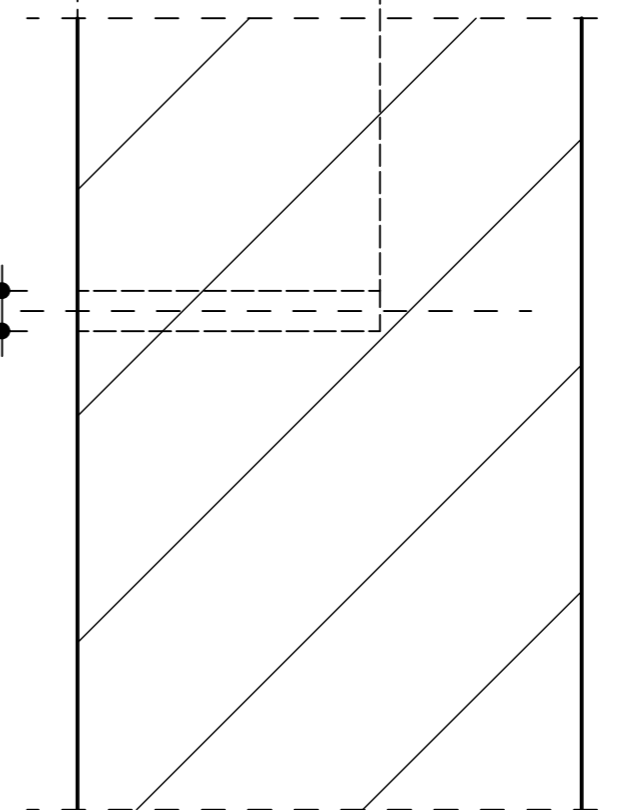
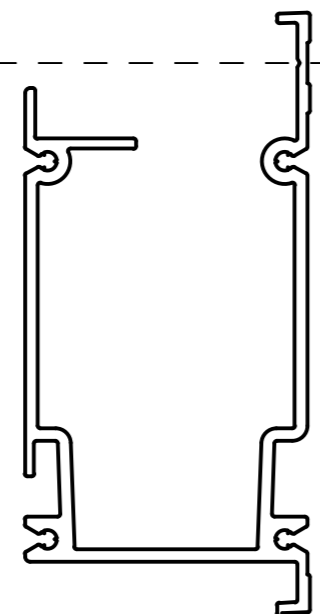
fischer UX 8x50

SDS 8 mm [5/16"]

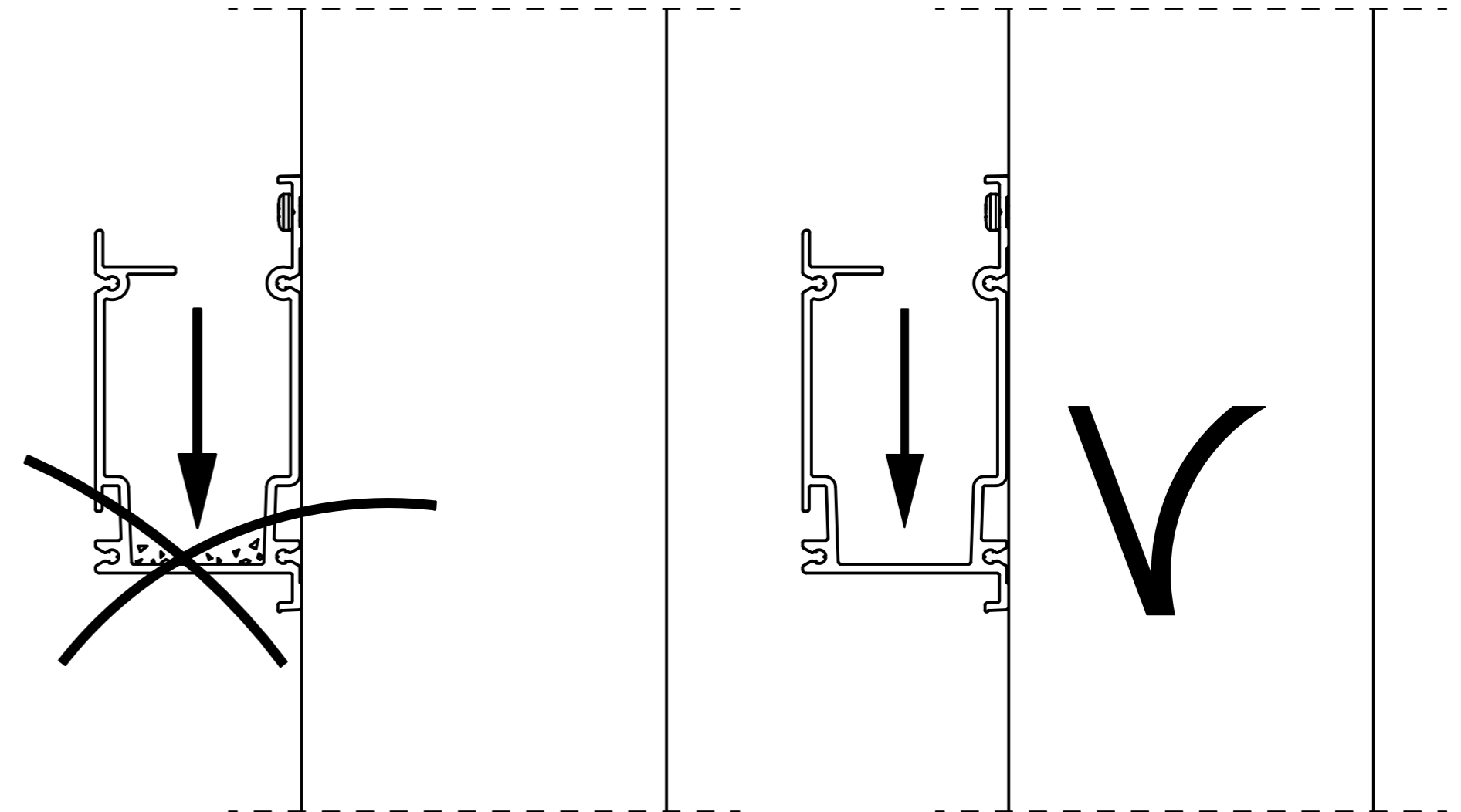
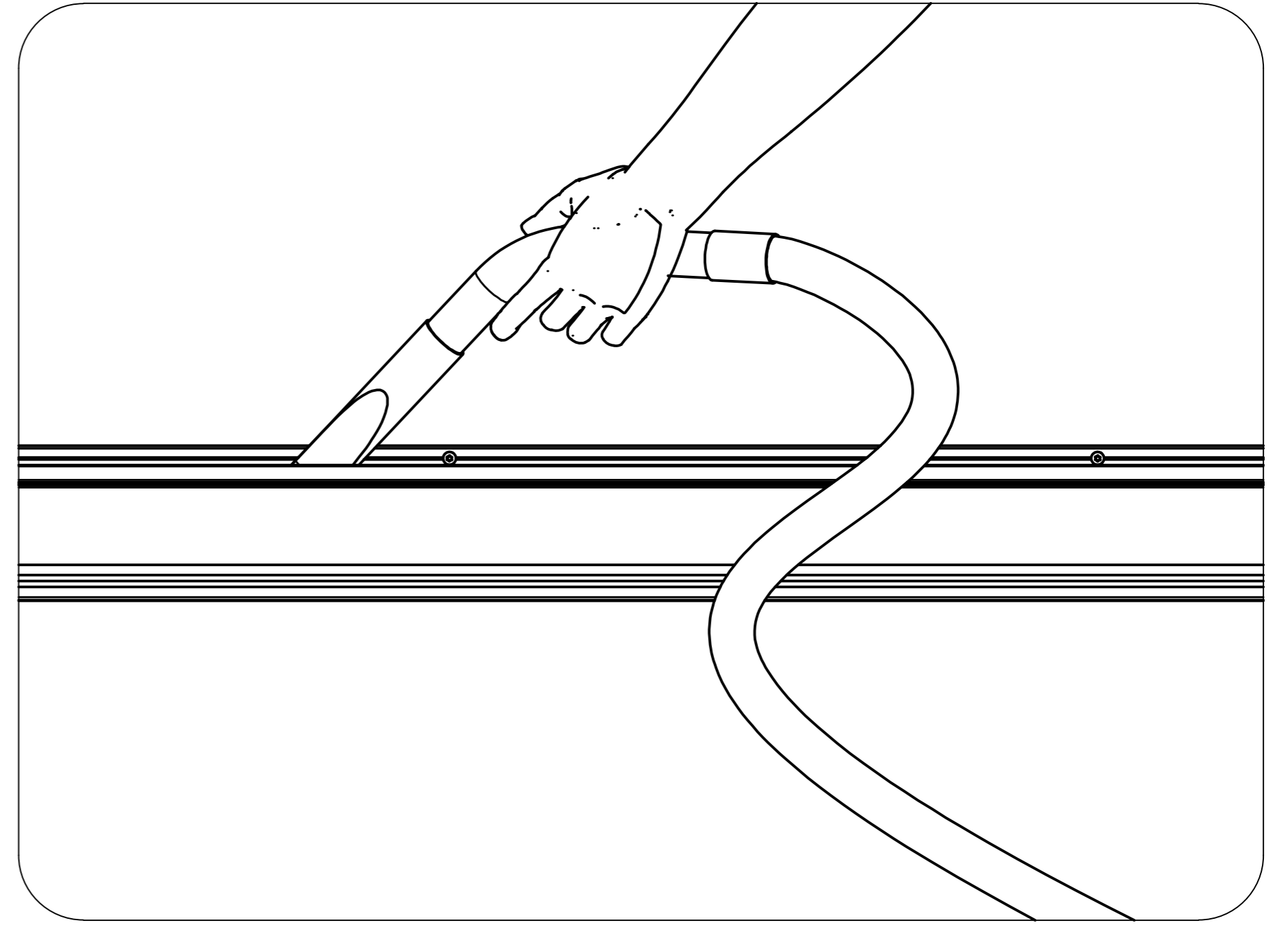
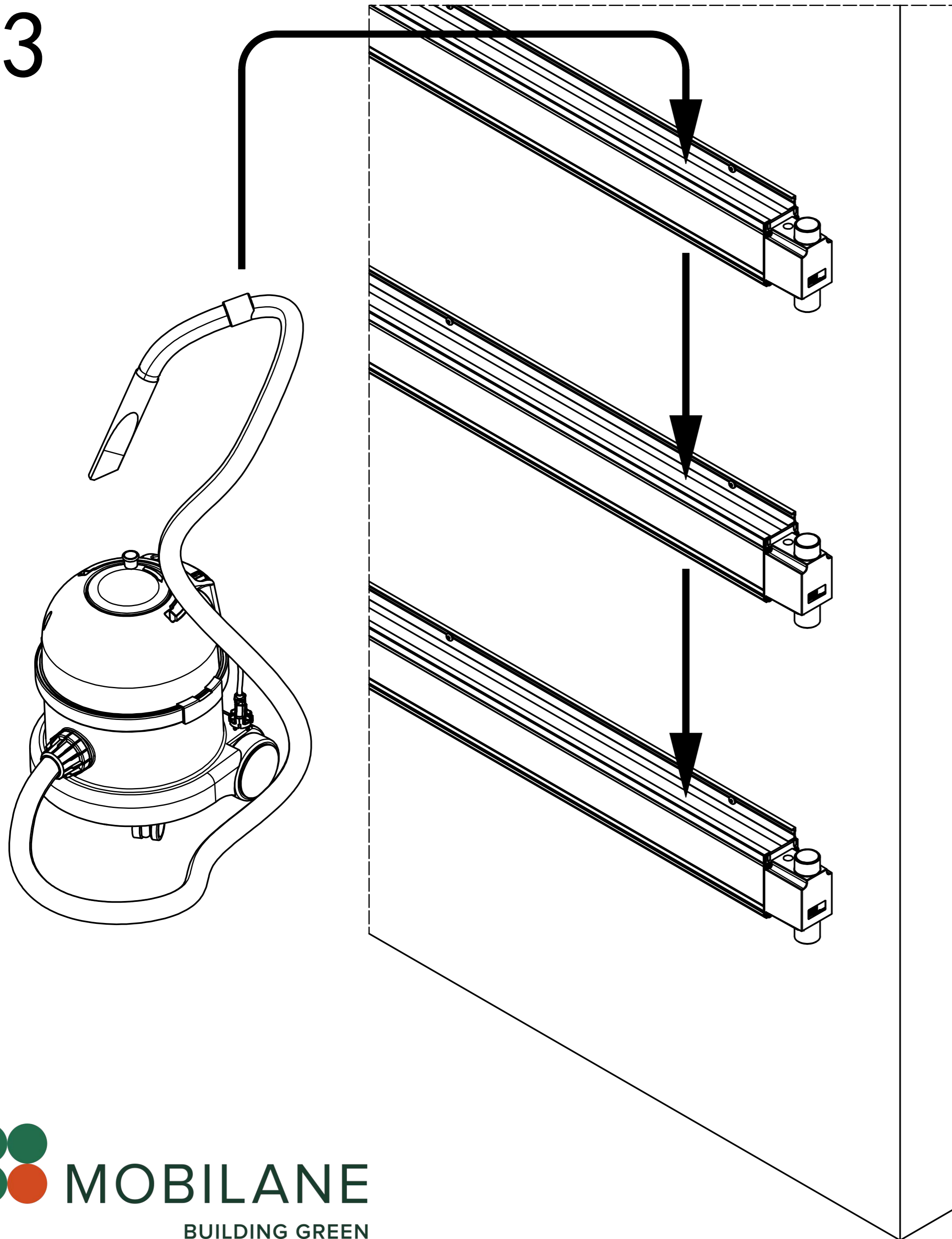
Ø8 mm [5/16"]

60 mm [2, 36"]

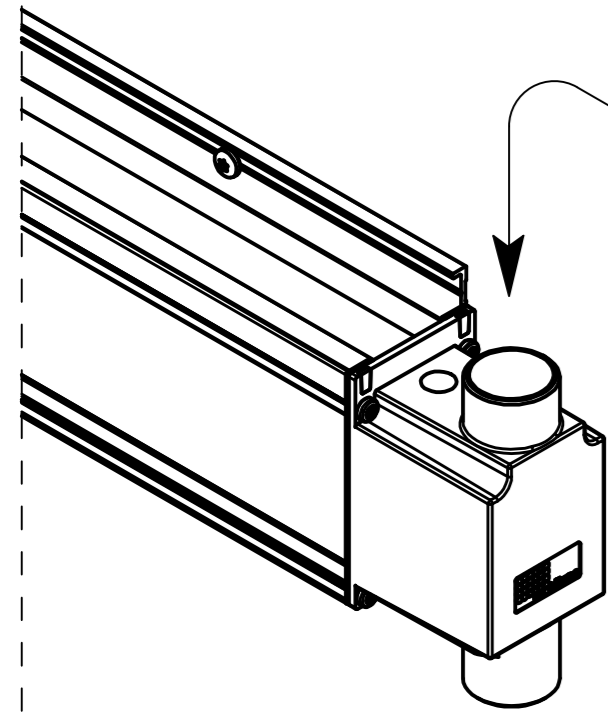
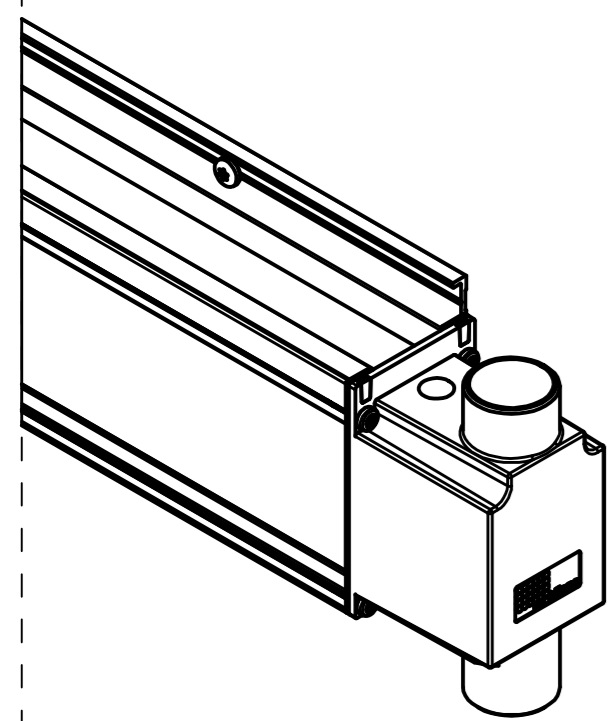
T25



3

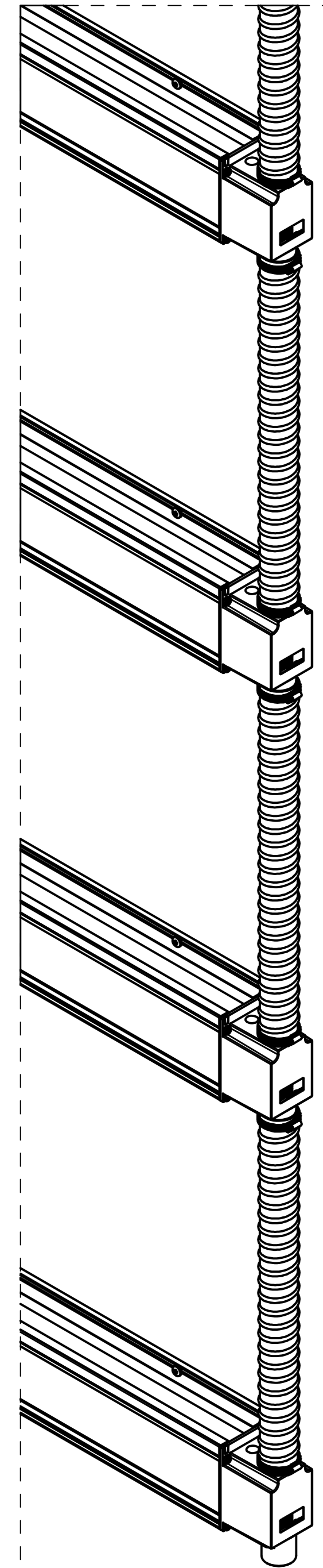
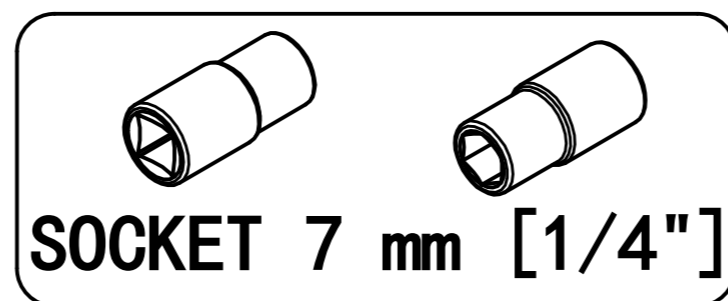
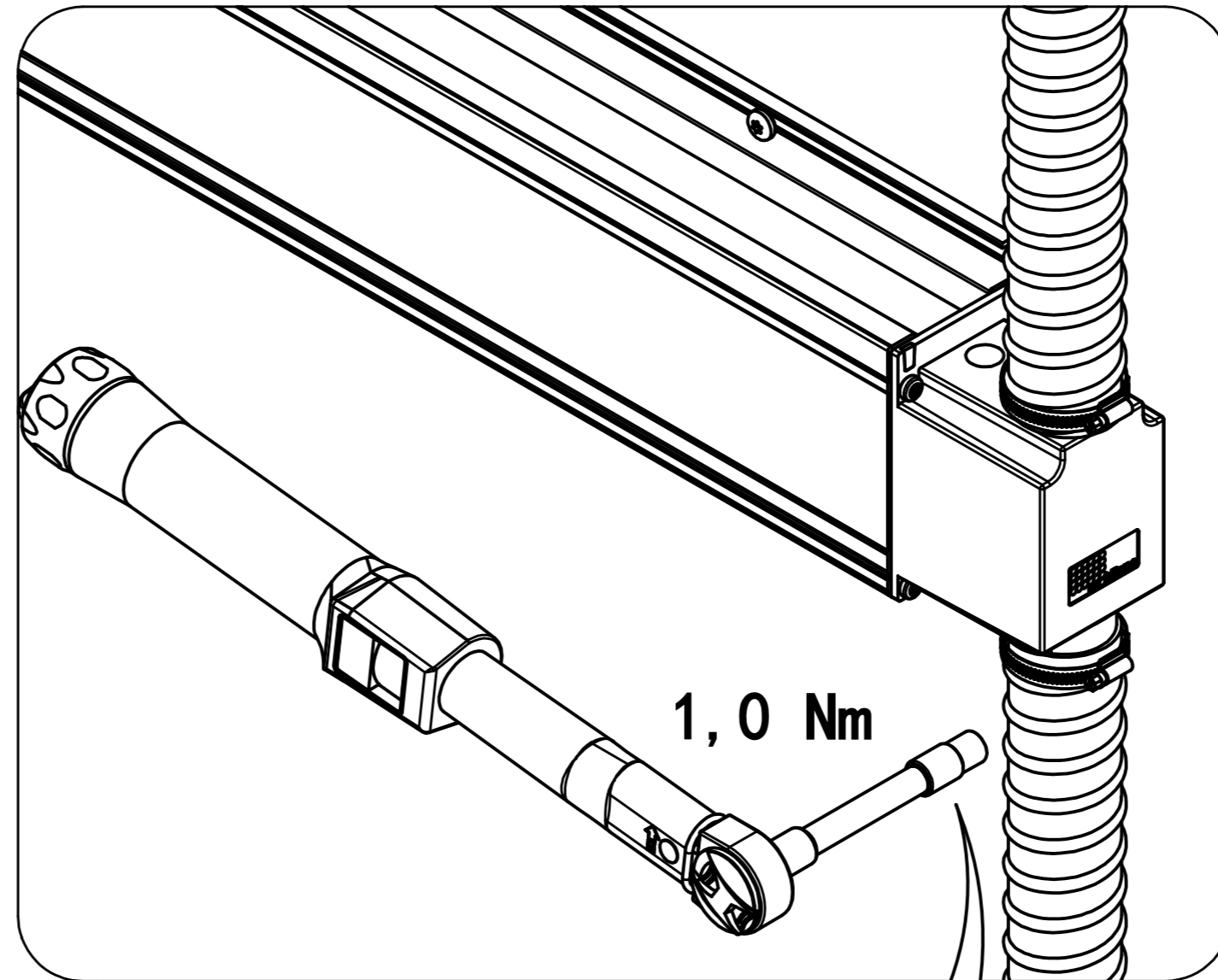
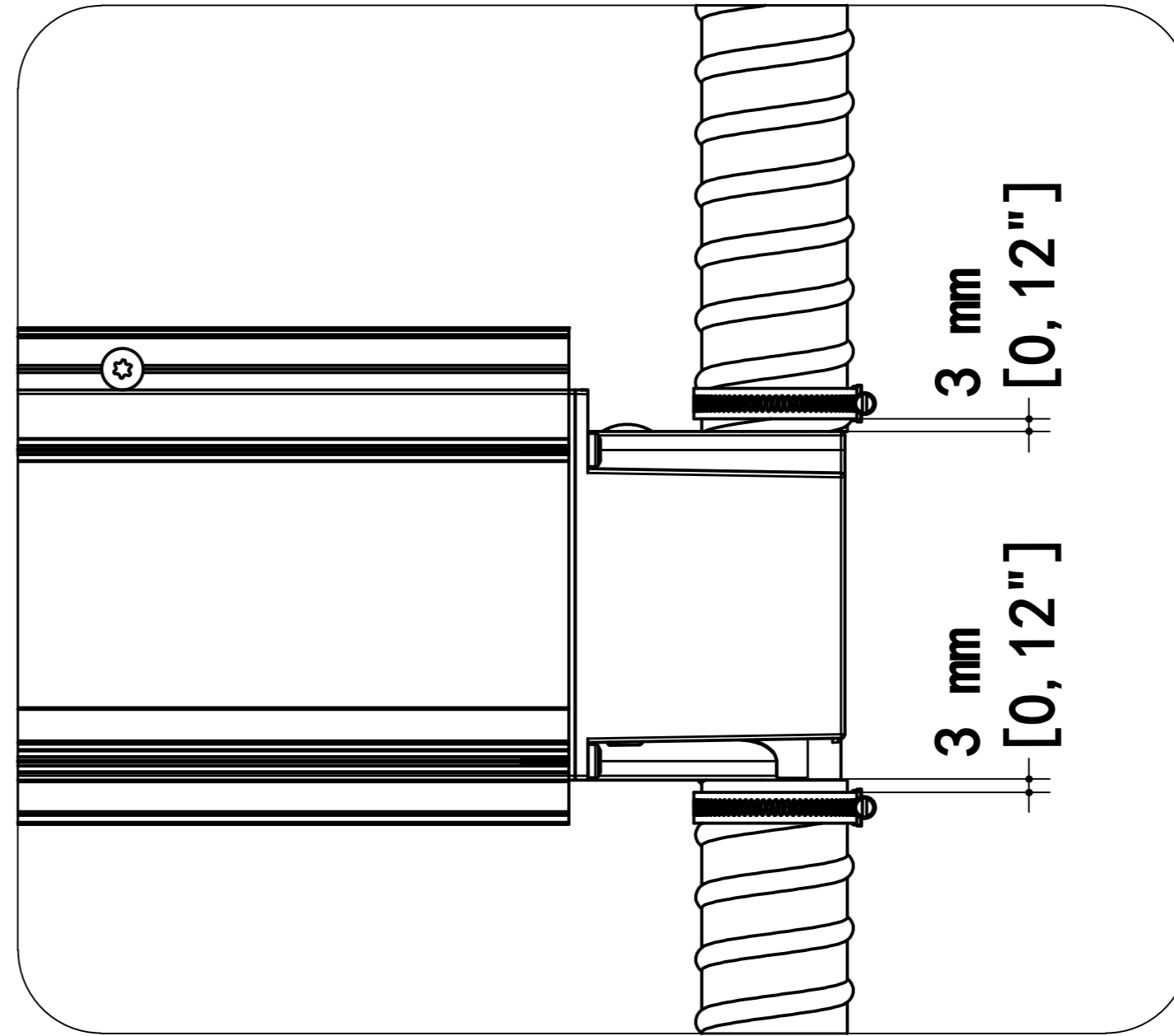
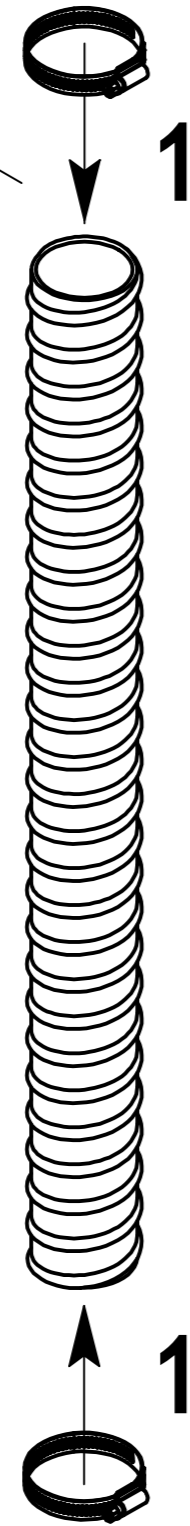


4

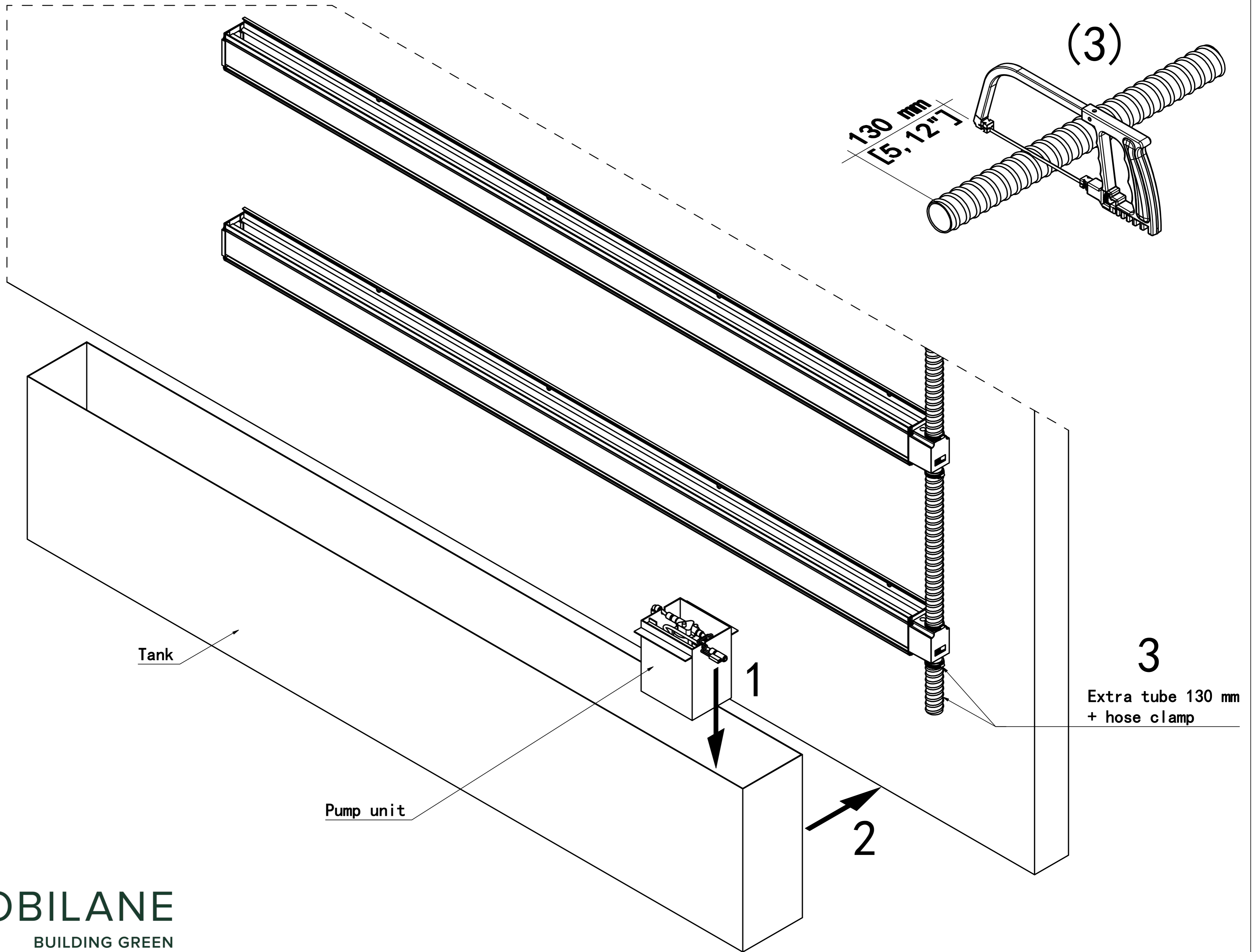


2

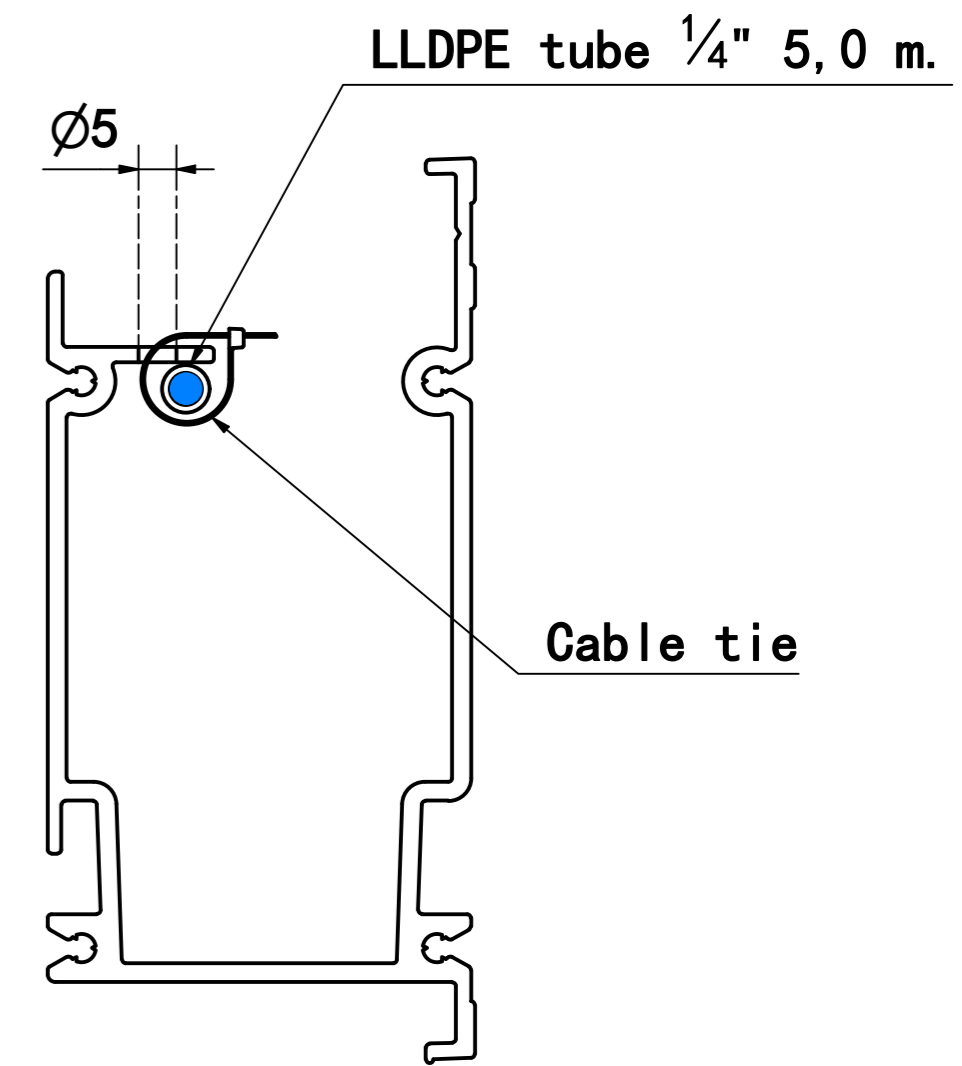
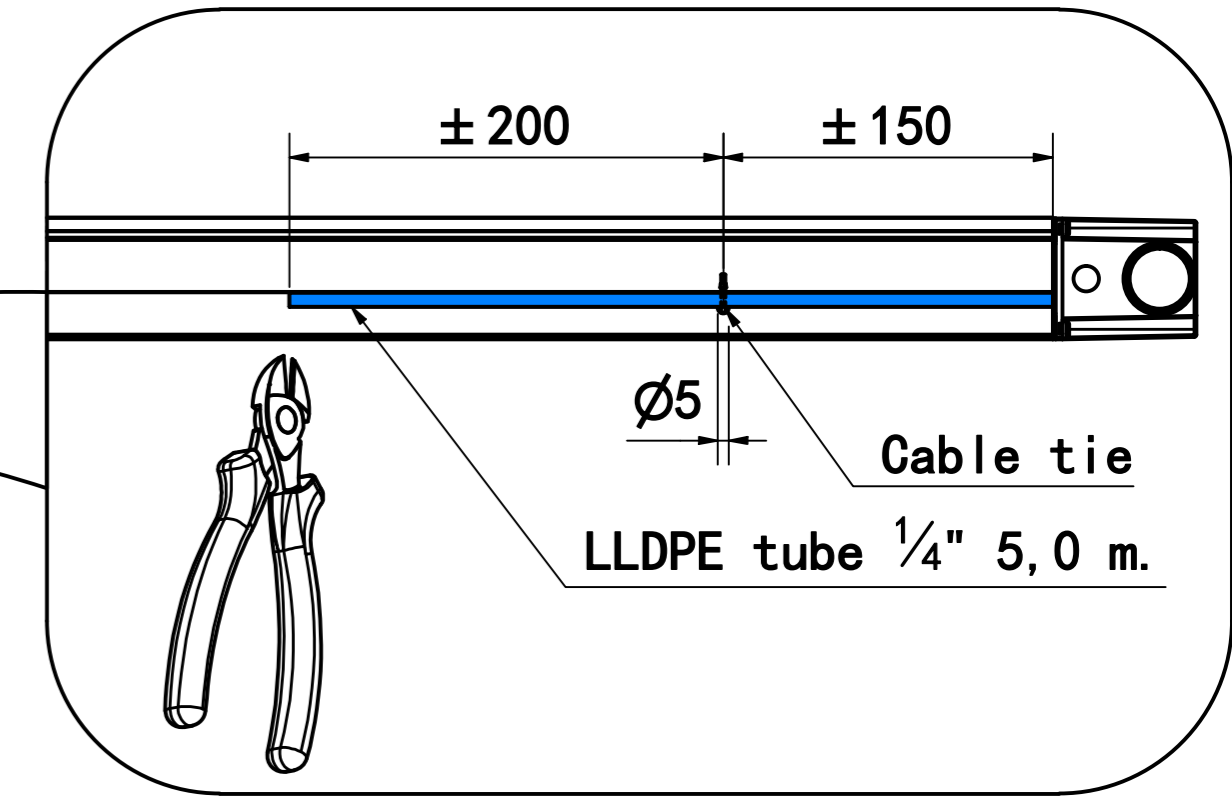
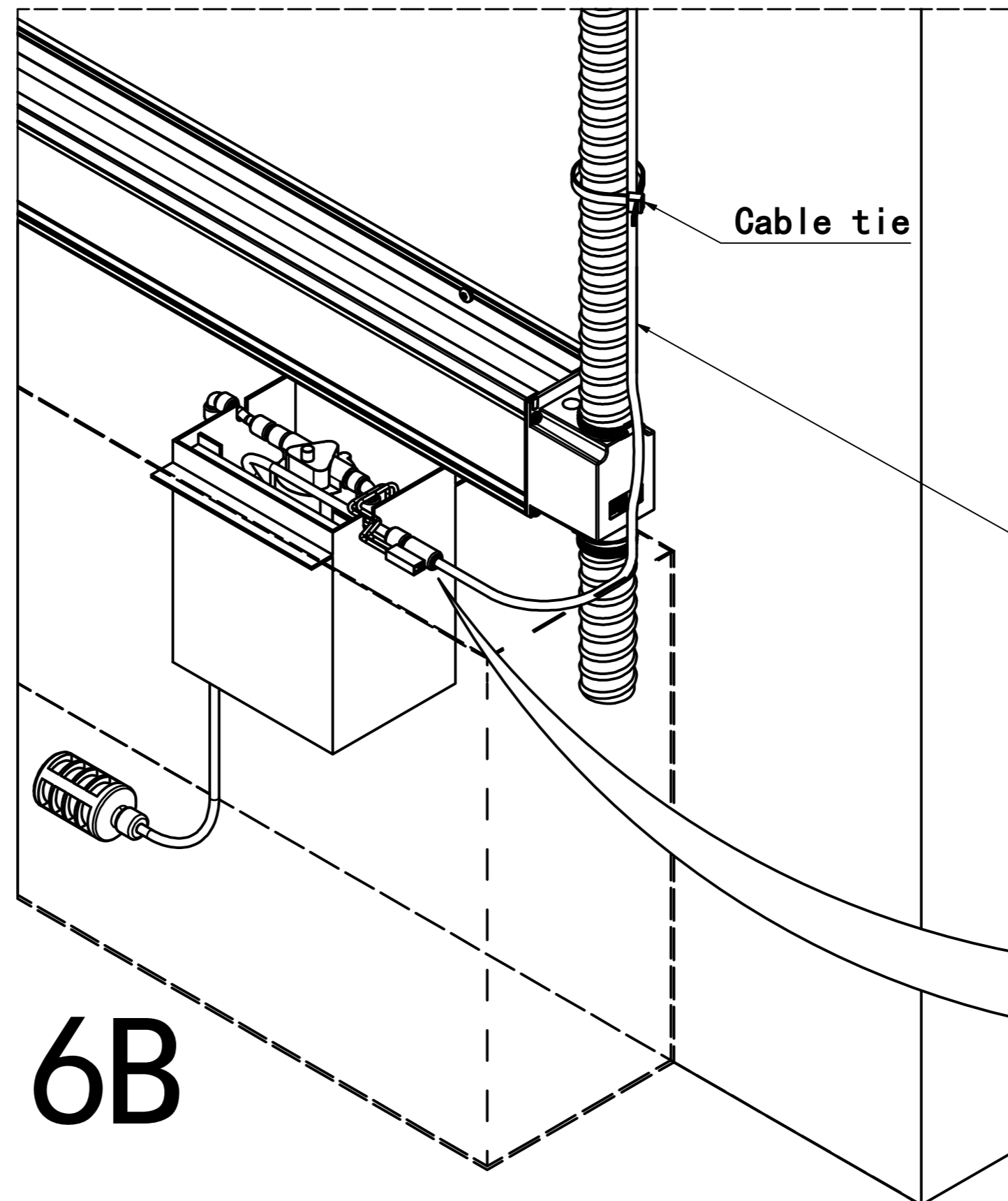
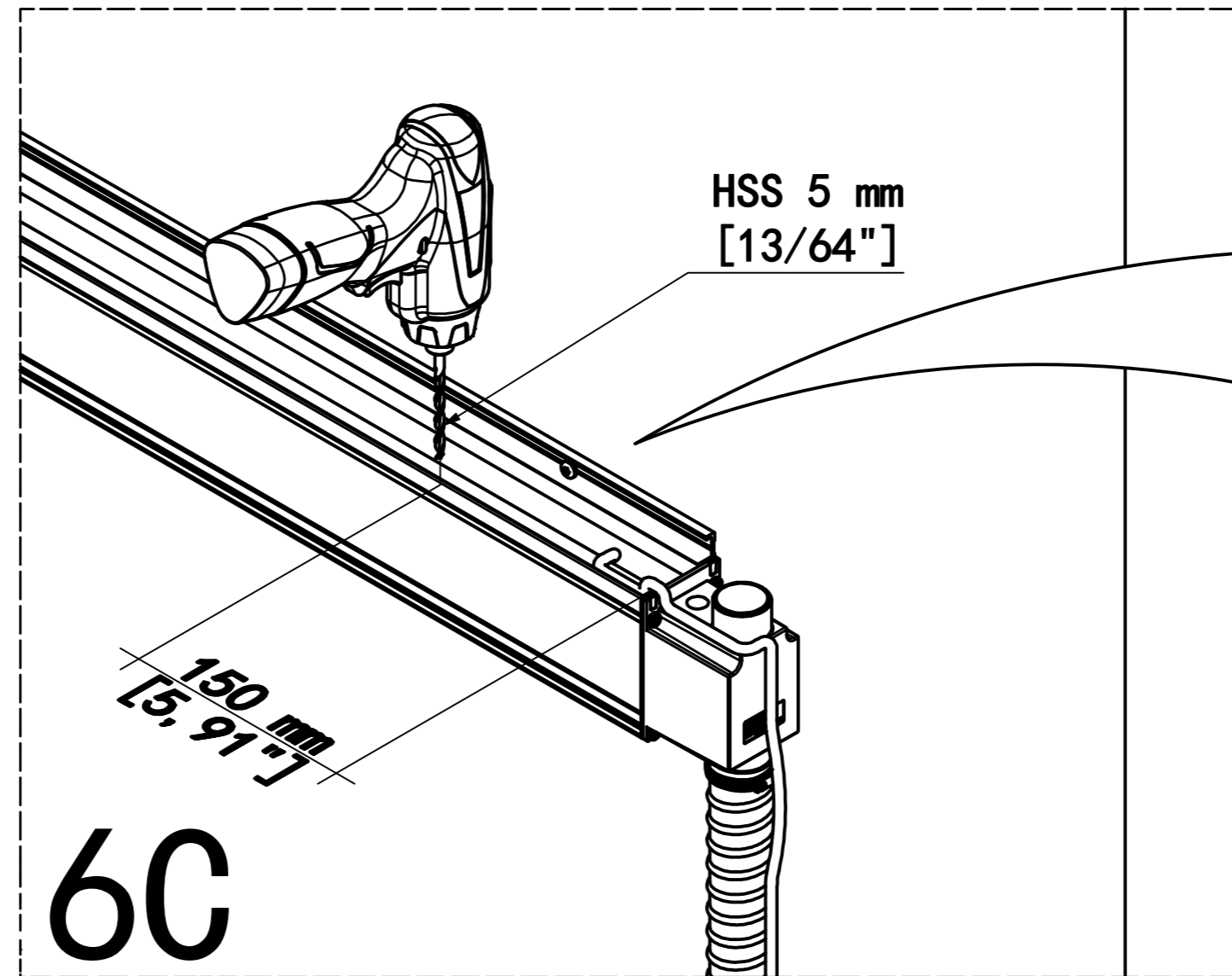
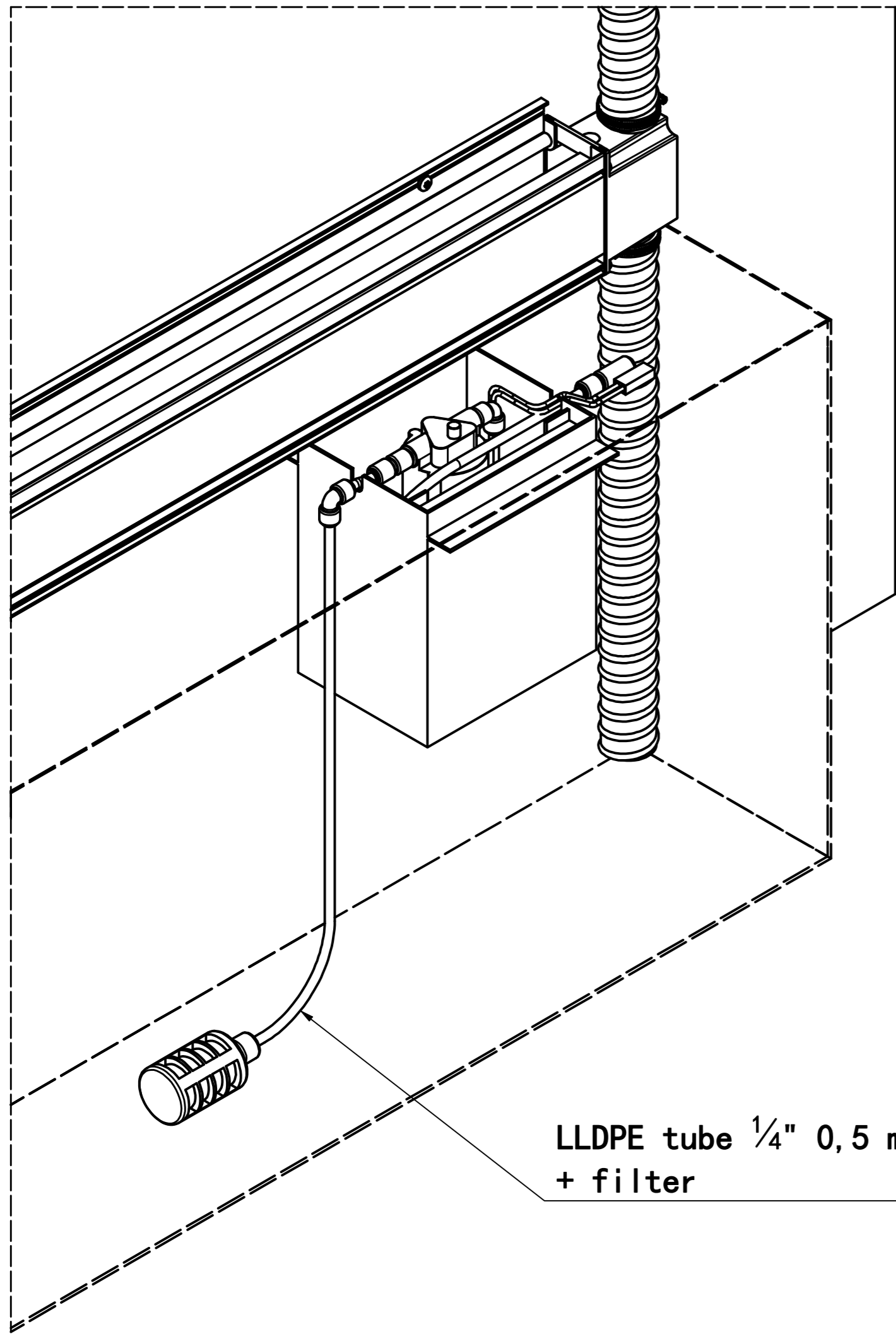
2



5

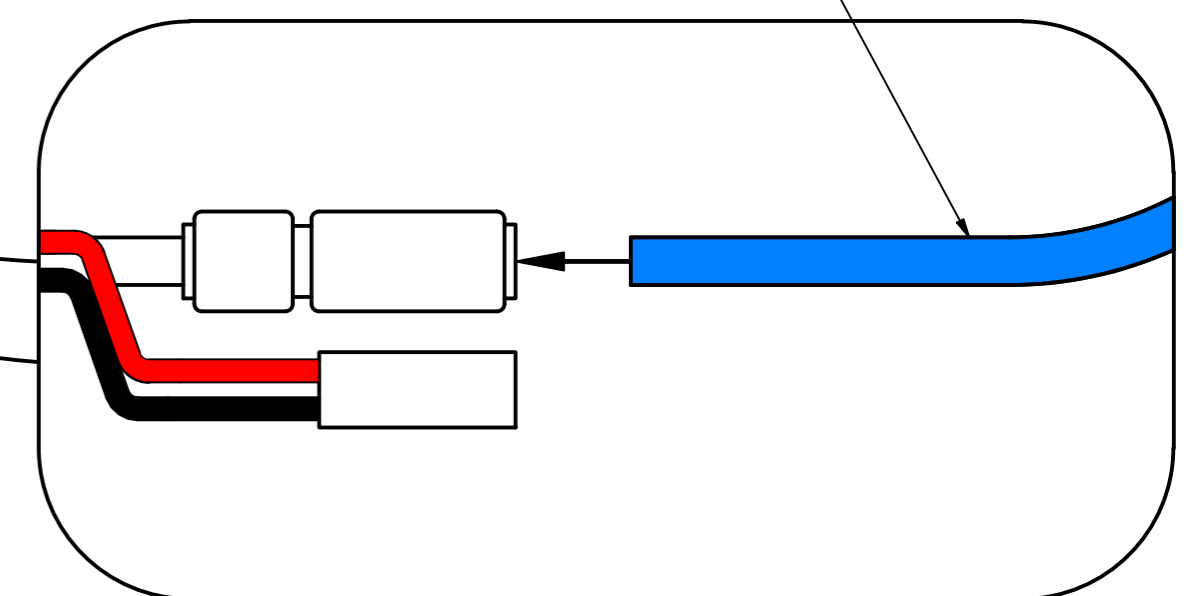


6A

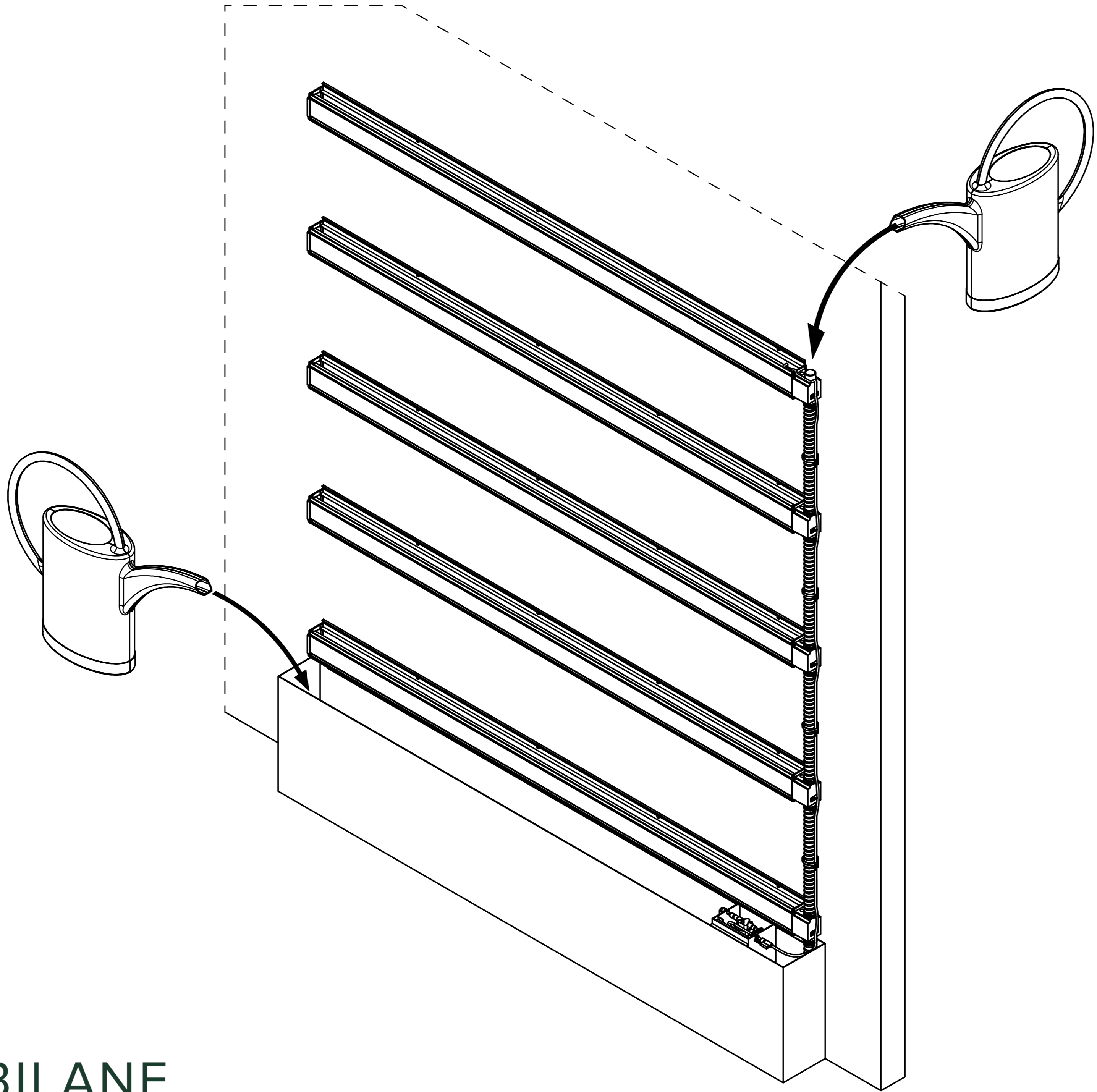


LLDPE tube 1/4" 5,0 m.

LLDPE tube 1/4" 5,0 m.

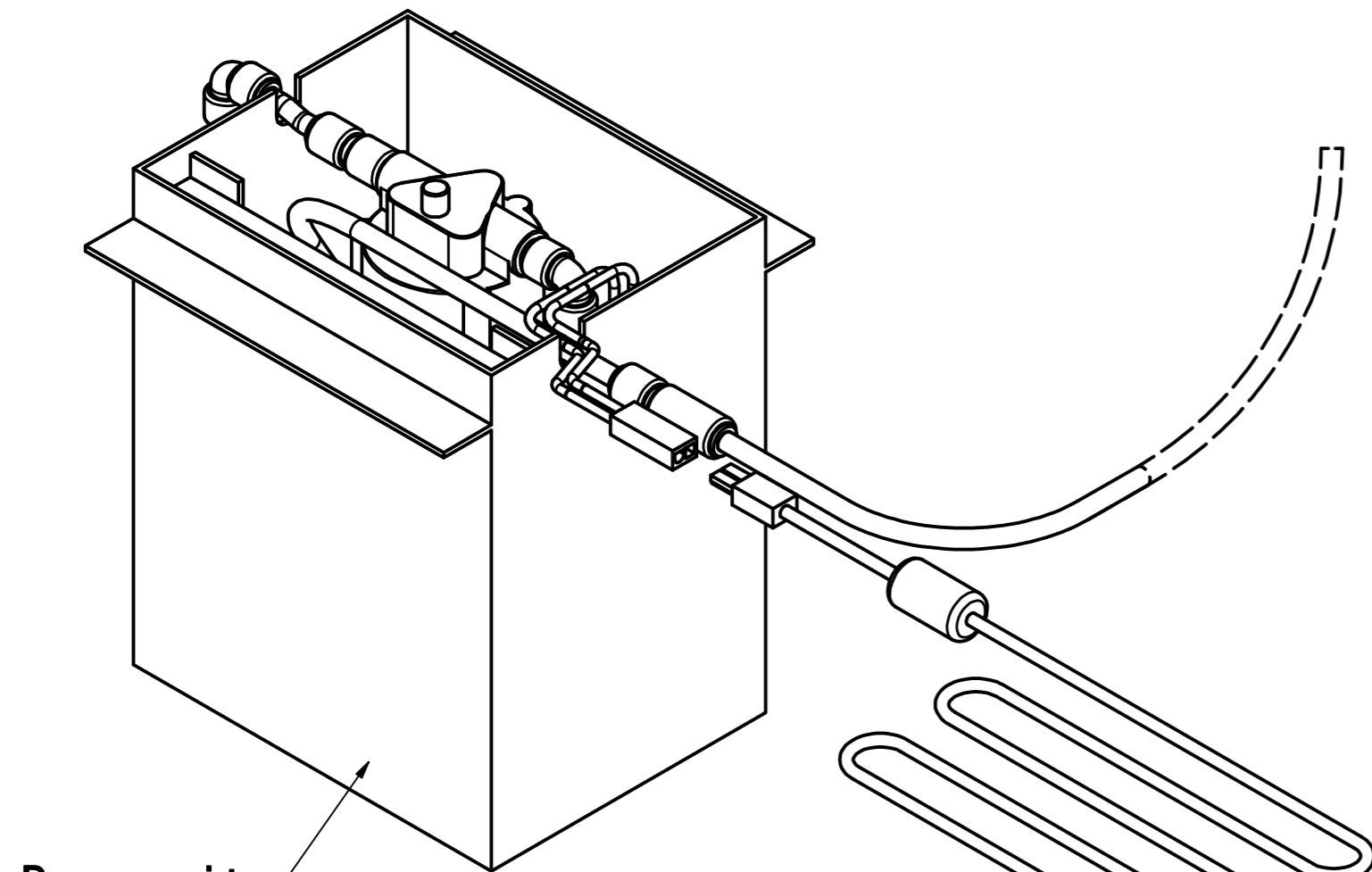


7

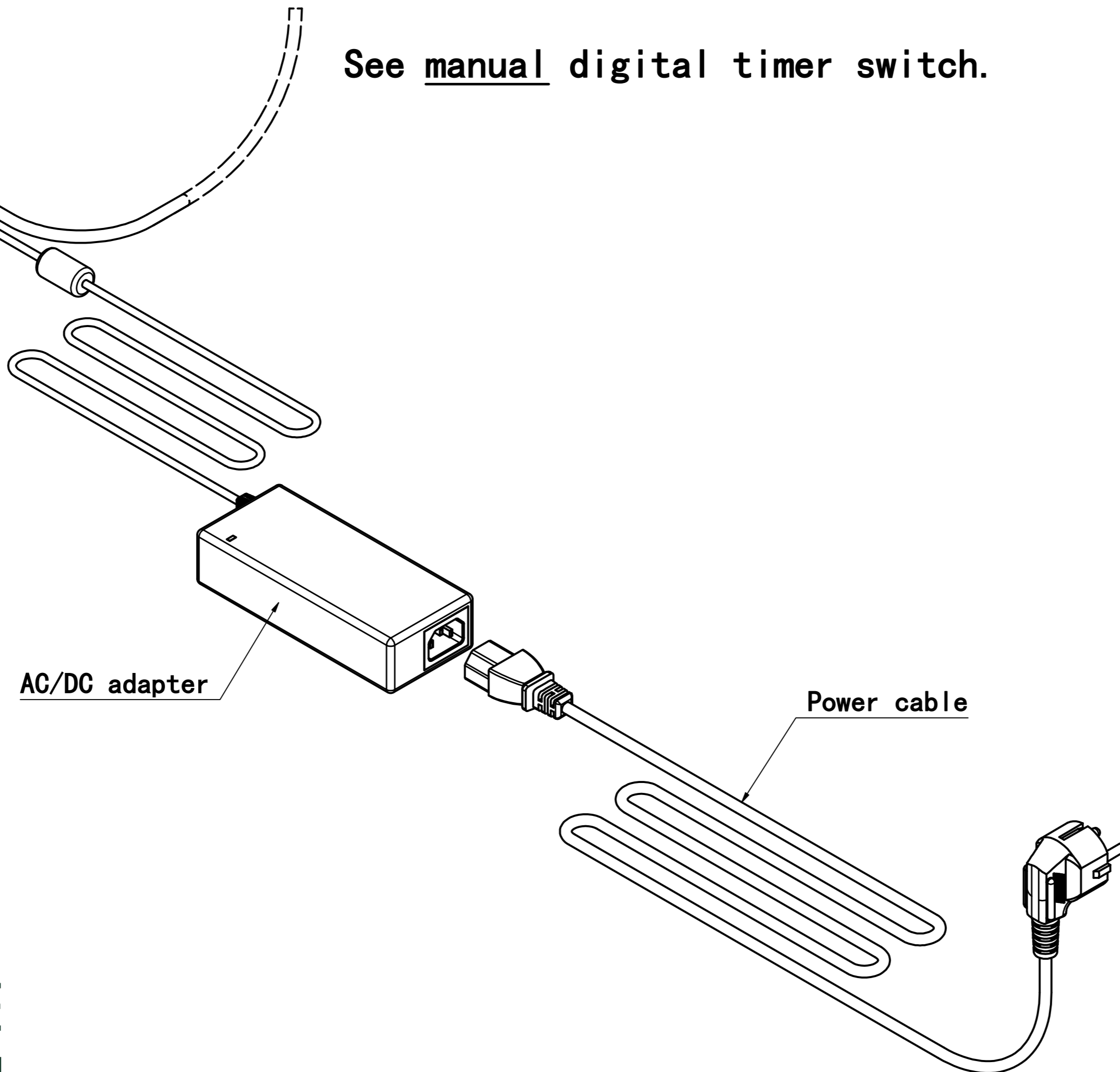


8

1. Check pump unit for 5 minutes.
If working "OK", close tank.
 2. Check leakage. →
 3. Setting digital timer switch:
7 min. / m² per week.
- See manual digital timer switch.

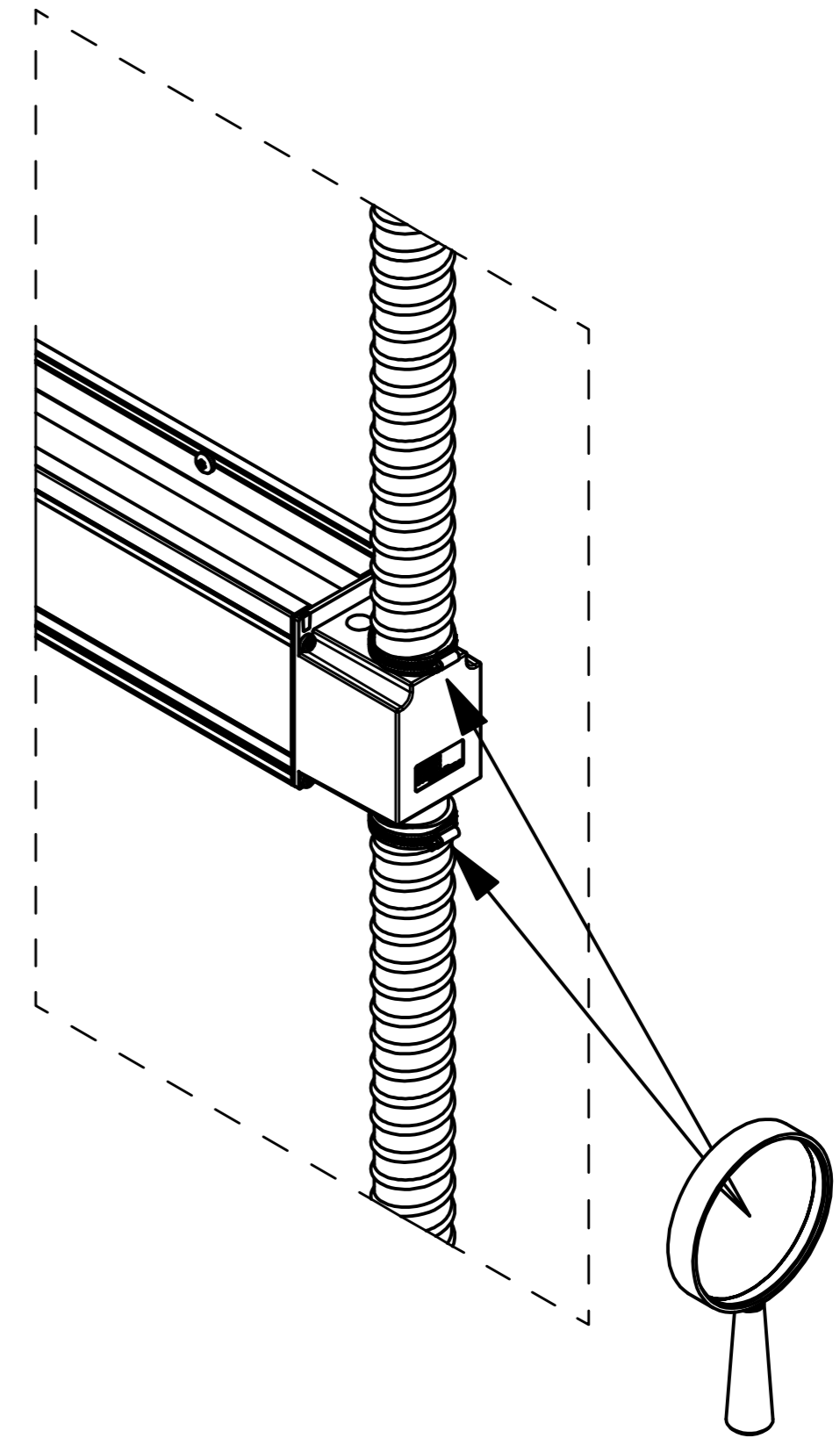


Pump unit



AC/DC adapter

Power cable

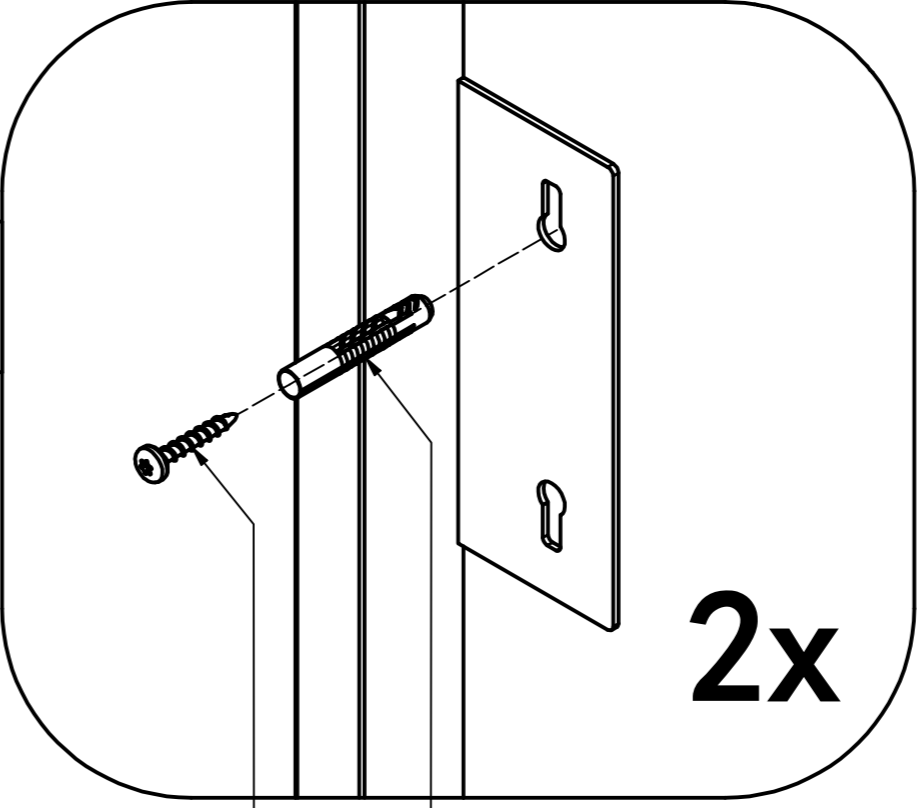
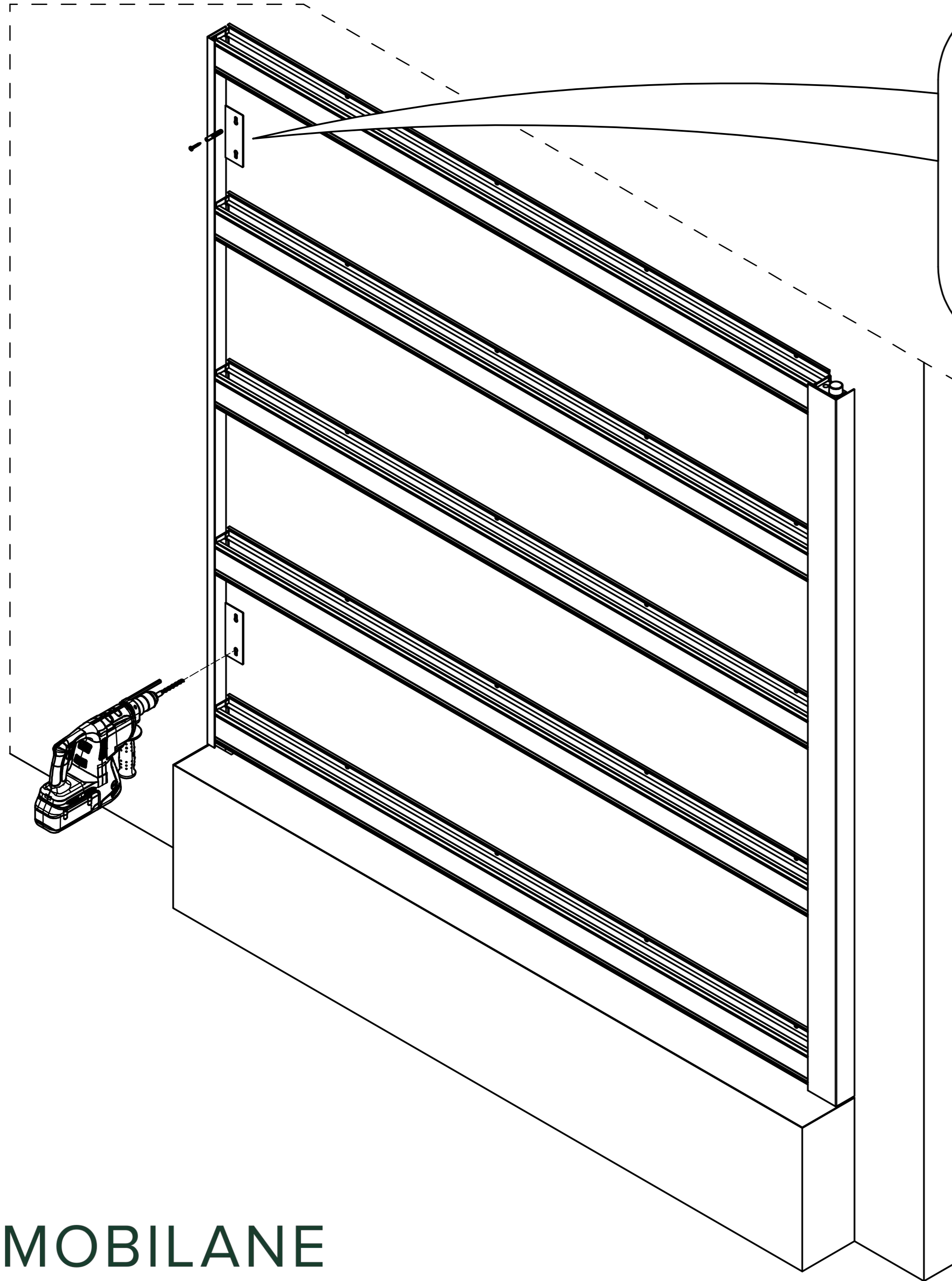


Check leakage

Digital timer switch



9

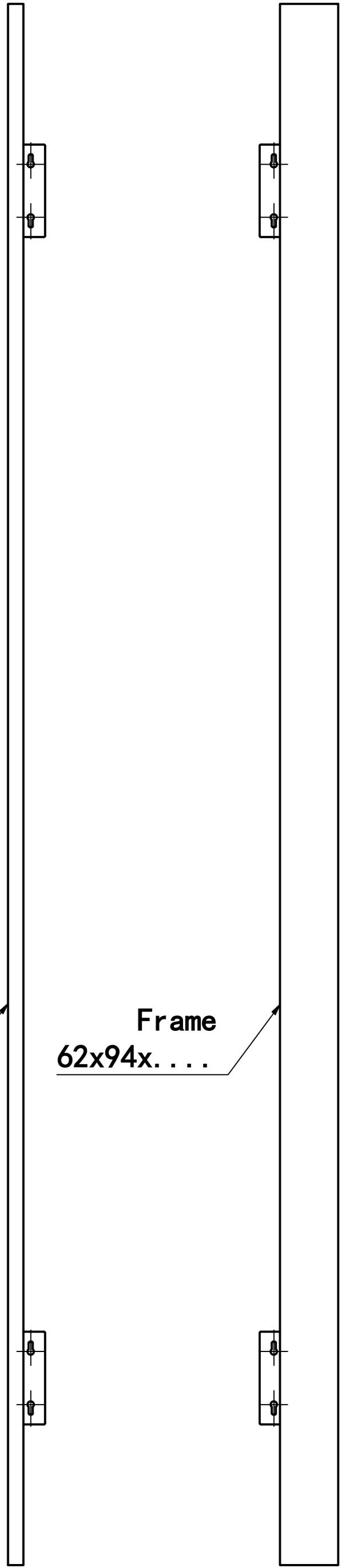


fischer UX 8x50

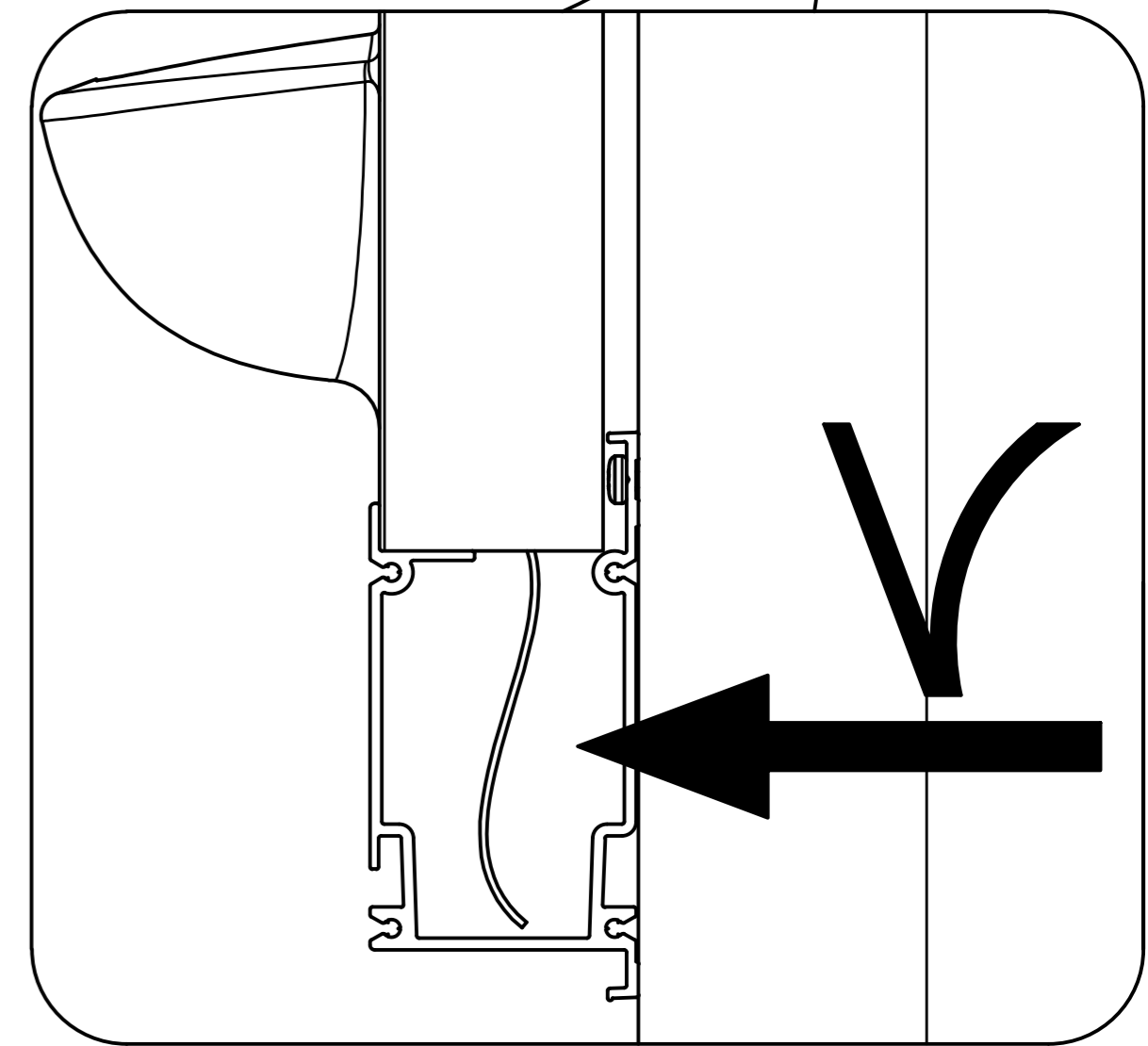
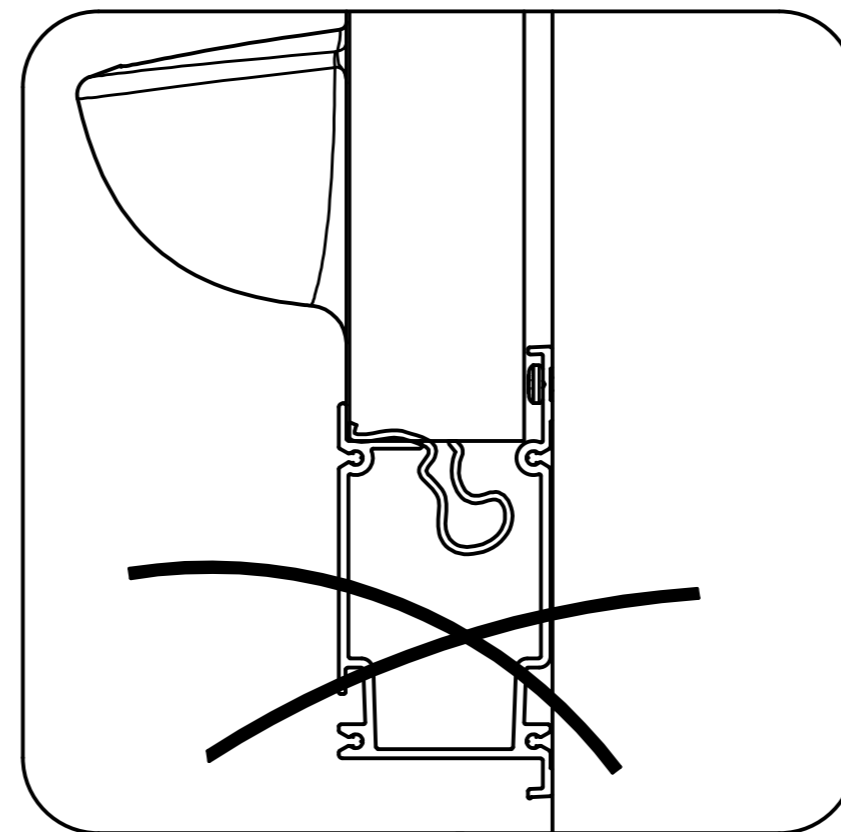
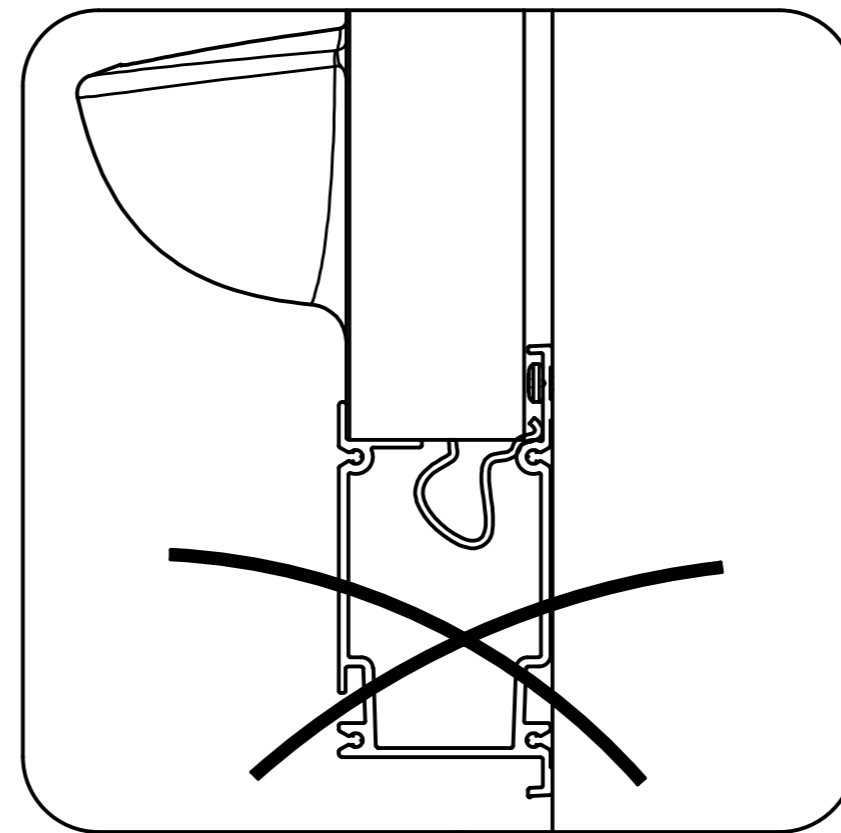
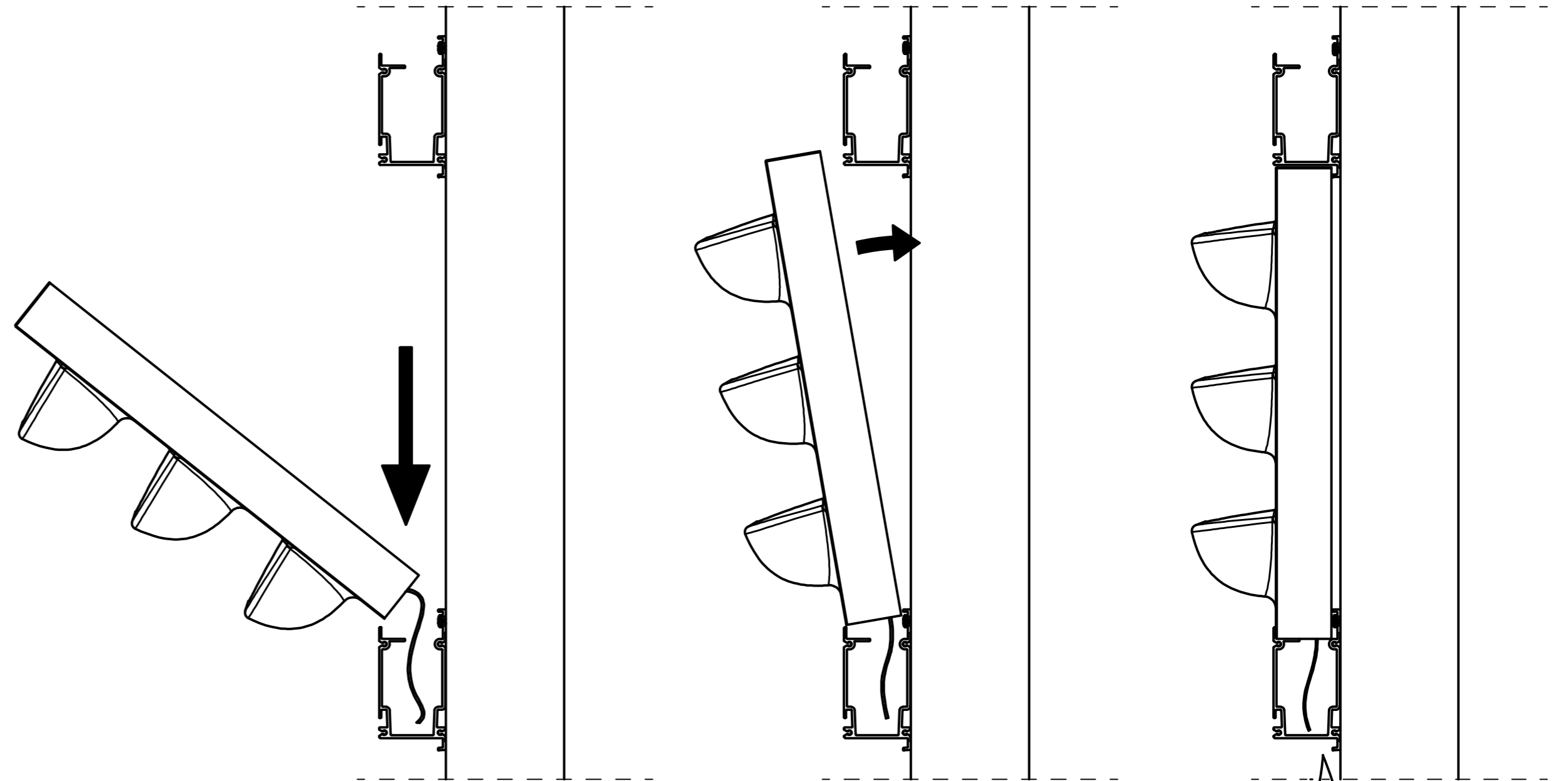
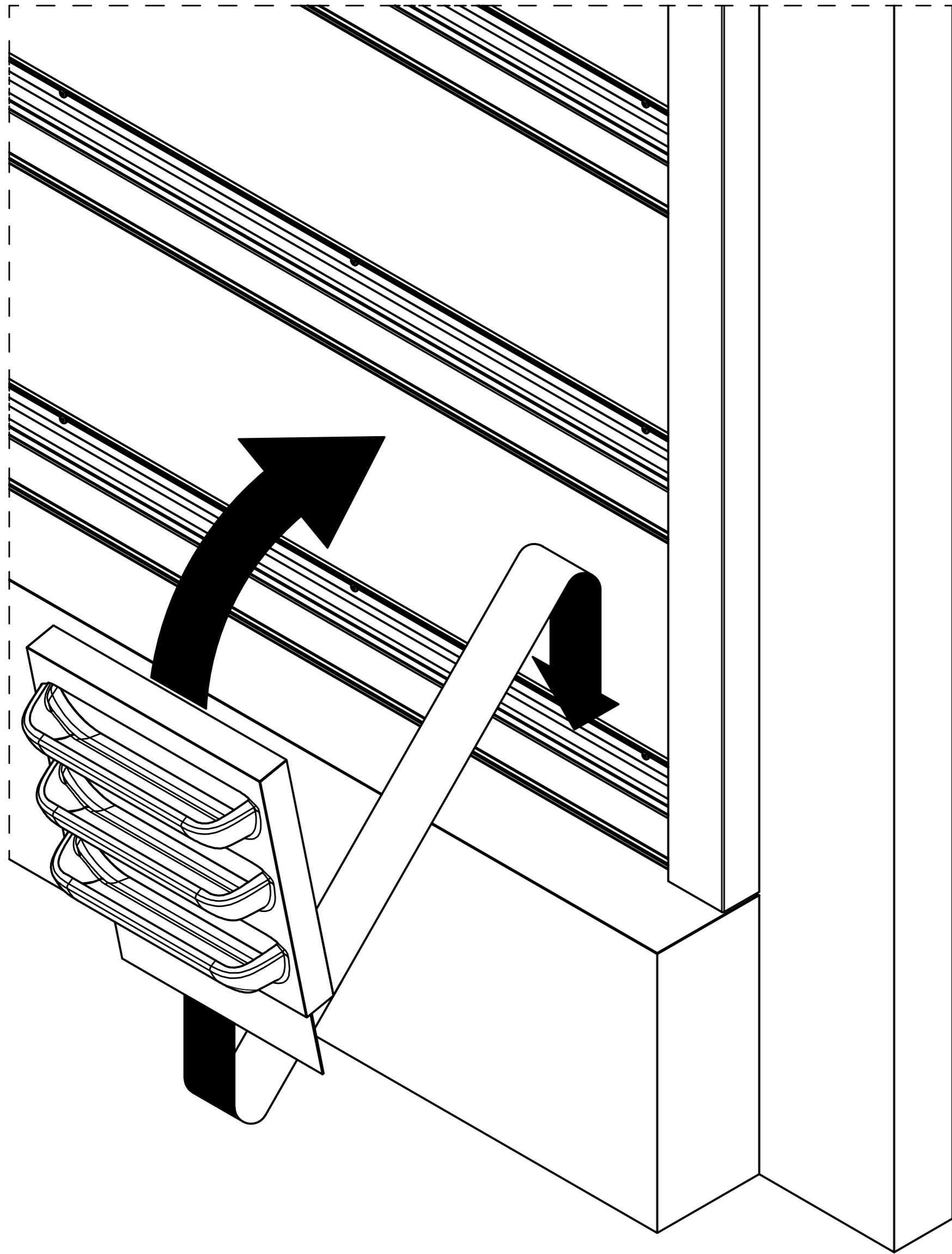
fischer 5,0x30 CK T25 RVS A2

Frame
62x25x. . .

Frame
62x94x. . .



10



CHECK!

11

